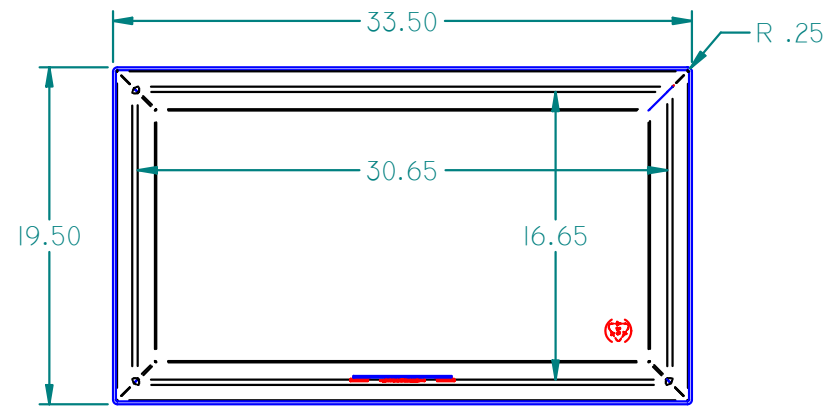
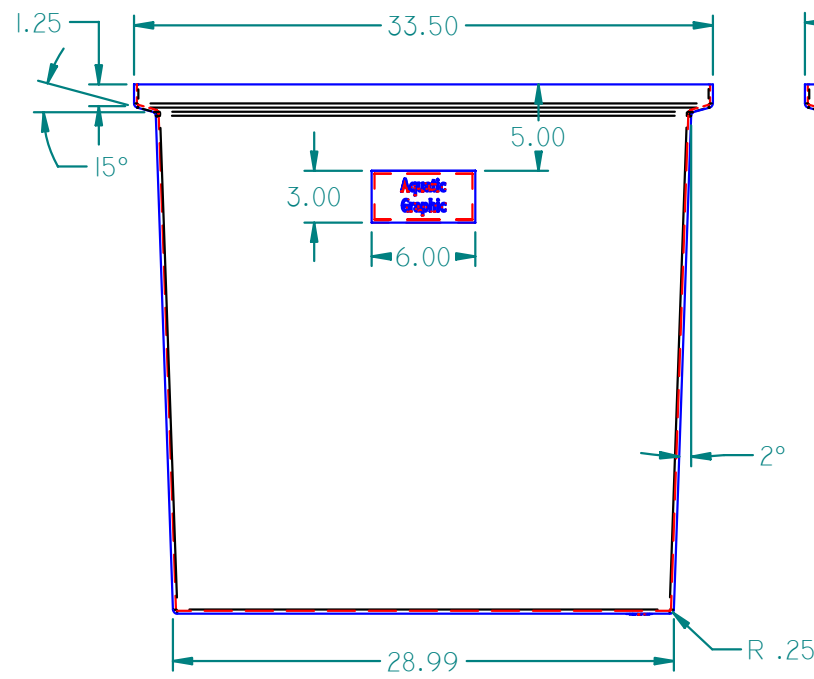


REVISION HISTORY

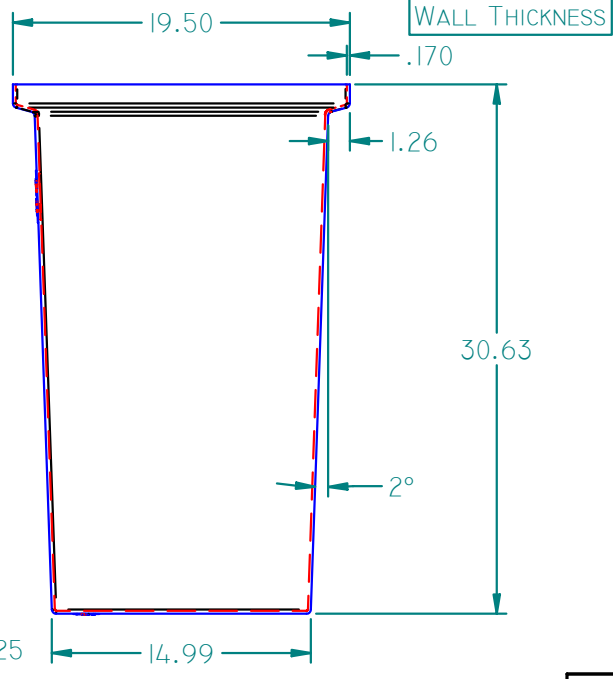
REV	DESCRIPTION	DATE	APPROVED
01	OVERALL DIMENSIONAL CHANGES TO MAKE WORKING CAPACITY BELOW LIP, GRAPHIC WINDOW SIZE CHANGE	2/11/04	



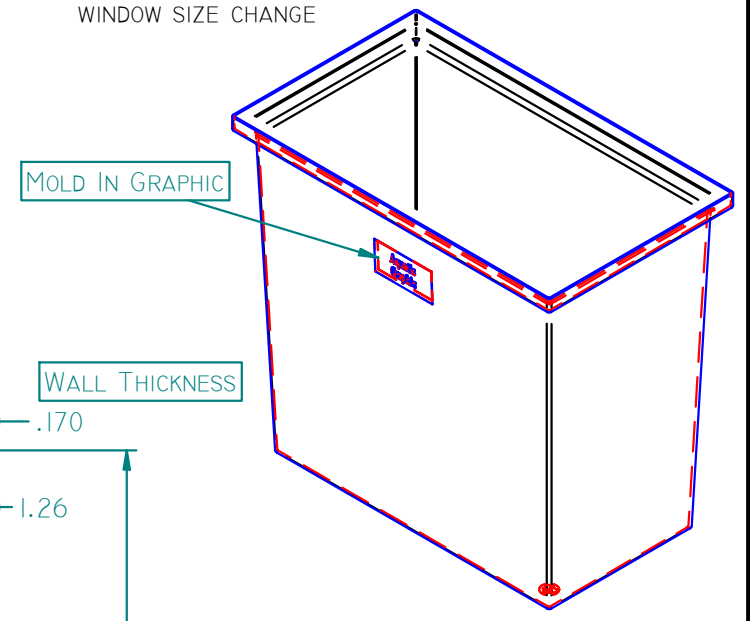
Top View



Front View



Side View



ISO View

Tank Capacity: 58 Gallons

	NAME	DATE
DRAWN	MPUTT	1/22/2004
CHECKED		
ENG APPR		
MGR APPR		

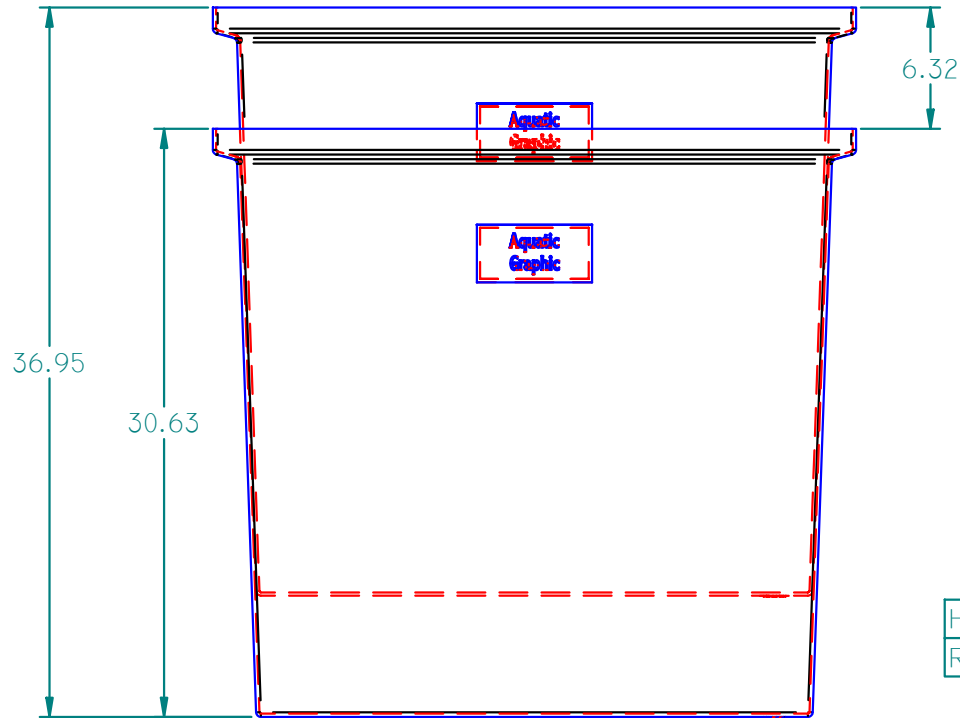
TITLE 58 GALLON OTR TANK		
SIZE A	MATERIAL: HDPE 218 AQUAMARINE	REV 01

UNLESS OTHERWISE SPECIFIED
DIMENSIONS ARE IN INCHES
ANGLES ±0.5°
2 PL ±0.125" 3 PL ±0.060"

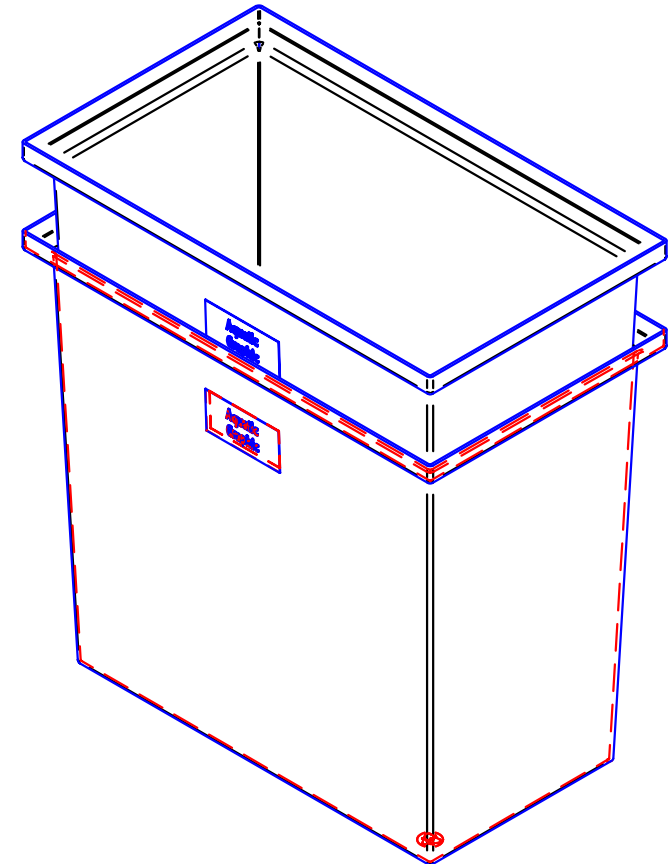
FILE NAME: OTR58.DFT		
PART#: 502058	WEIGHT: 19.138 LBM	SHEET 1 OF 2

REVISION HISTORY

REV	DESCRIPTION	DATE	APPROVED
01	OVERALL DIMENSIONAL CHANGES TO MAKE WORKING CAPACITY BELOW LIP, GRAPHIC WINDOW SIZE CHANGE	2/11/04	



Side View Nested

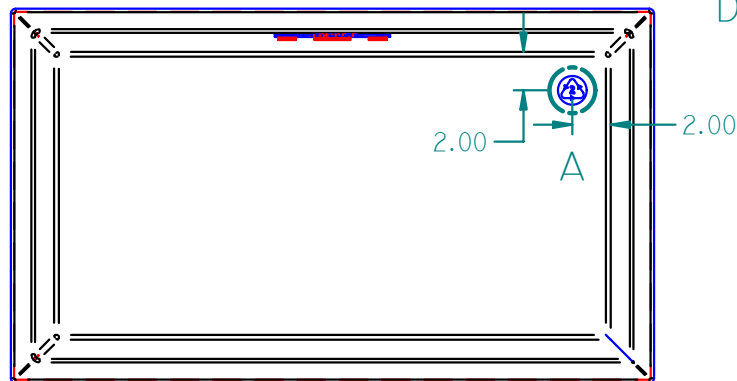


ISO VIEW NESTED

HDPE
RECYCLE LOGO



DETAIL A



BOTTOM VIEW

Tank Capacity: 58 Gallons

	NAME	DATE
DRAWN	MPUTT	1/22/2004
CHECKED		
ENG APPR		
MGR APPR		

TITLE 58 GALLON OTR TANK		
SIZE A	MATERIAL: HDPE 218 AQUAMARINE	REV 01

UNLESS OTHERWISE SPECIFIED
DIMENSIONS ARE IN INCHES
ANGLES ±0.5°
2 PL ±0.125" 3 PL ±0.060"

FILE NAME: OTR58.DFT		
PART#: 502058	WEIGHT: 19.138 LBM	SHEET 2 OF 2