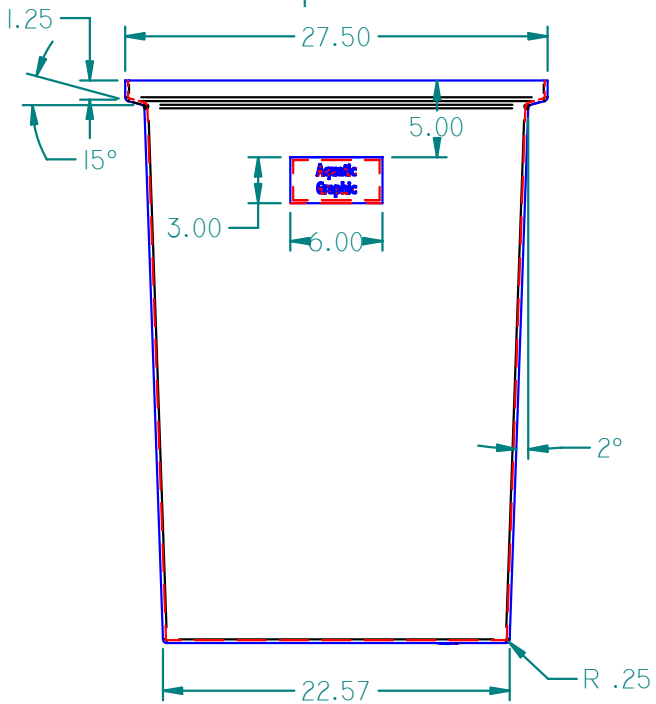
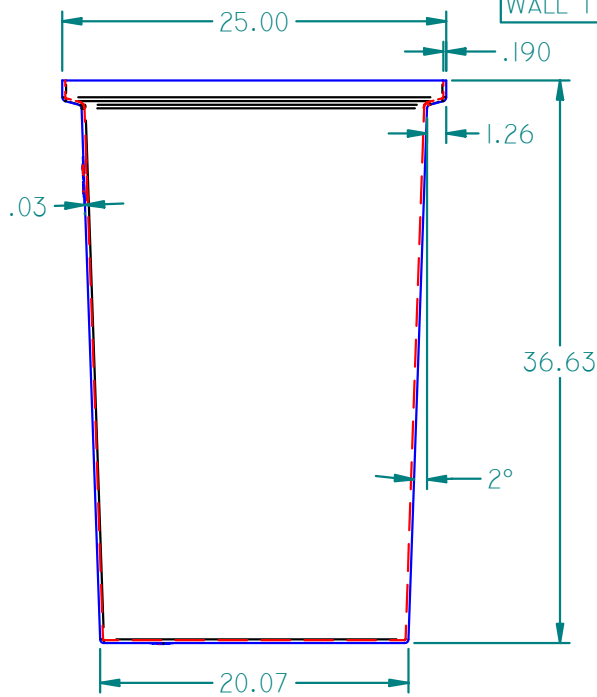


Top View

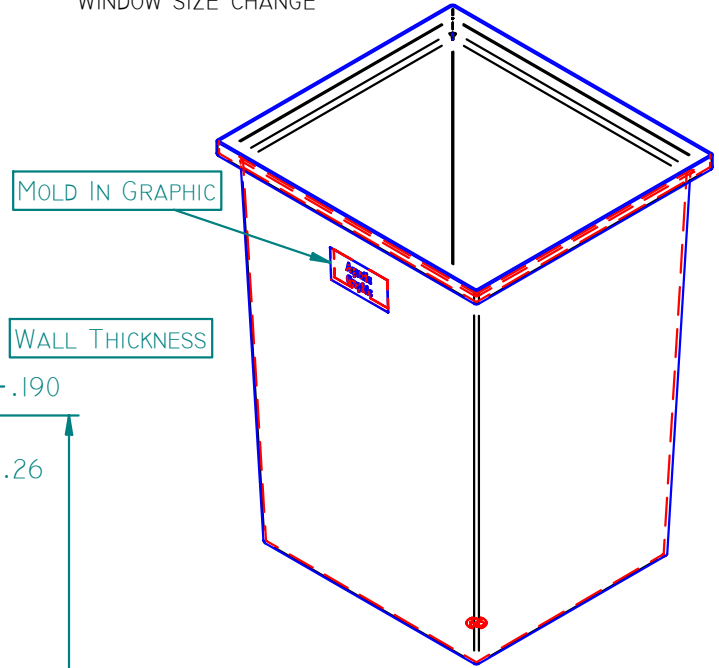
REVISION HISTORY			
REV	DESCRIPTION	DATE	APPROVED
01	OVERALL DIMENSIONAL CHANGES TO MAKE WORKING CAPACITY BELOW LIP, GRAPHIC WINDOW SIZE CHANGE	2/11/04	



Front View



Side View



ISO View

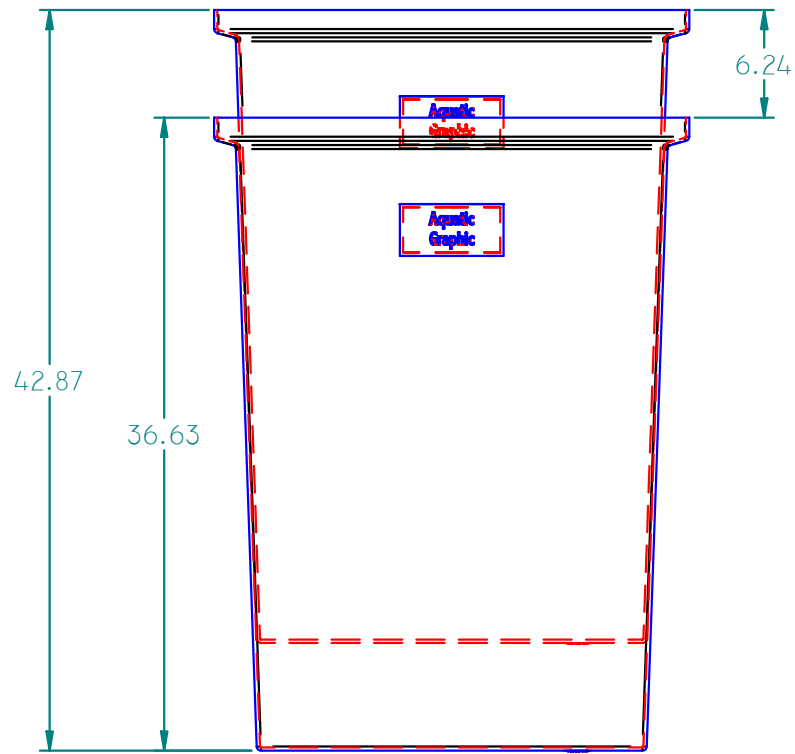
Tank Capacity: 74 Gallons

	NAME	DATE
DRAWN	MPUTT	1/22/2004
CHECKED		
ENG APPR		
MGR APPR		

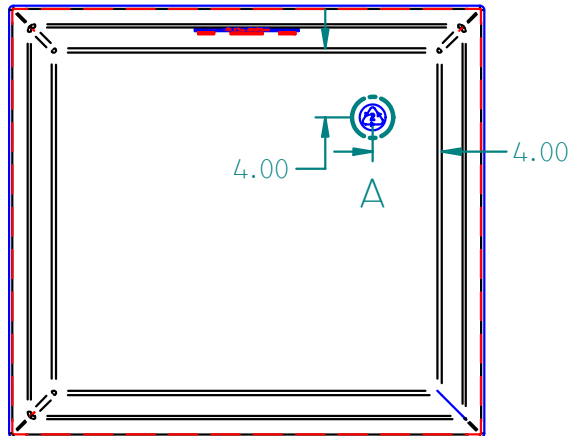
TITLE 74 GALLON OTR TANK		
SIZE A	MATERIAL: HDPE 218 AQUAMARINE	REV 01

UNLESS OTHERWISE SPECIFIED
DIMENSIONS ARE IN INCHES
ANGLES ±0.5°
2 PL ±0.125" 3 PL ±0.060"

FILE NAME: OTR74.DFT		
PART#: 502074	WEIGHT: 24.587 LBM	SHEET 1 OF 2



Side View Nested



BOTTOM VIEW

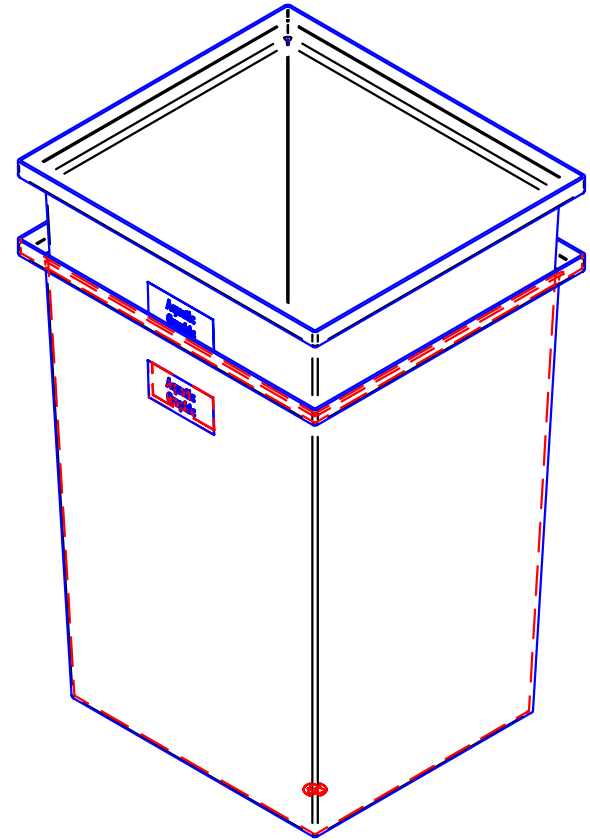
HDPE
RECYCLE LOGO



DETAIL A

REVISION HISTORY

REV	DESCRIPTION	DATE	APPROVED
01	OVERALL DIMENSIONAL CHANGES TO MAKE WORKING CAPACITY BELOW LIP, GRAPHIC WINDOW SIZE CHANGE	2/11/04	



ISO VIEW NESTED

Tank Capacity: 74 Gallons

	NAME	DATE
DRAWN	MPUTT	1/22/2004
CHECKED		
ENG APPR		
MGR APPR		



16160 Hwy 27 Lake Wales, FL 33859

TITLE 74 GALLON OTR TANK

SIZE A	MATERIAL: HDPE 218 AQUAMARINE	REV 01
--------	-------------------------------	--------

UNLESS OTHERWISE SPECIFIED
DIMENSIONS ARE IN INCHES
ANGLES ±0.5°
2 PL ±0.125" 3 PL ±0.060"

FILE NAME: OTR74.DFT

PART#: 502074	WEIGHT: 24.587 LBM	SHEET 2 OF 2
---------------	--------------------	--------------