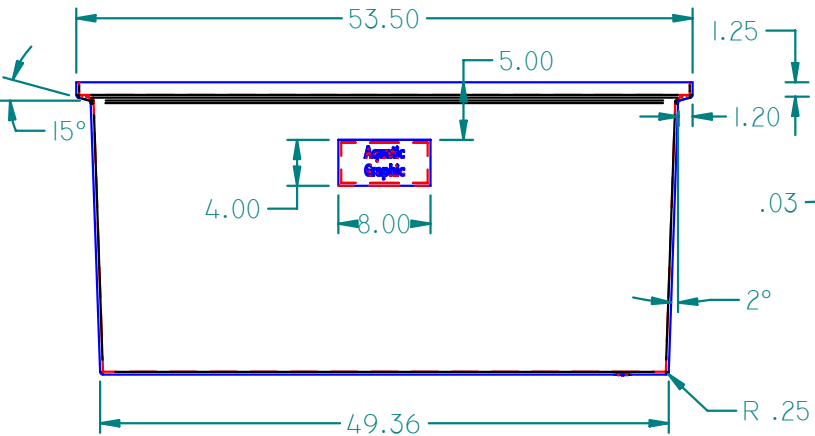
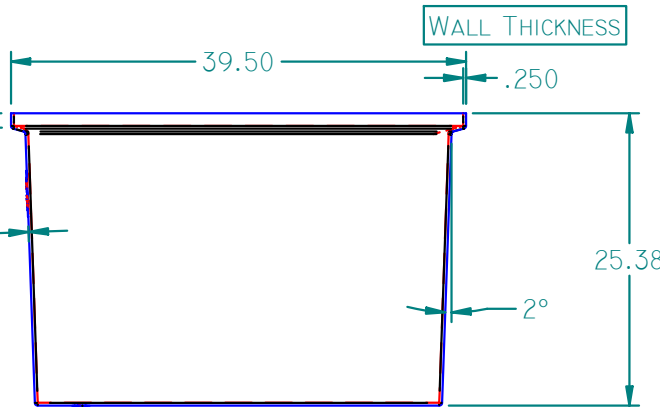


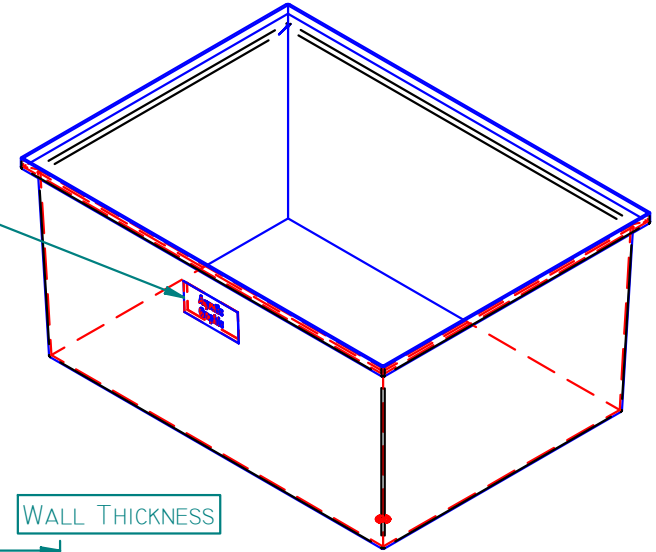
Top View



Front View



Side View



ISO View

REVISION HISTORY			
REV	DESCRIPTION	DATE	APPROVED
01	OVERALL DIMENSIONAL CHANGES TO MAKE WORKING CAPACITY BELOW LIP	2/11/04	

Tank Capacity: 180 Gallons

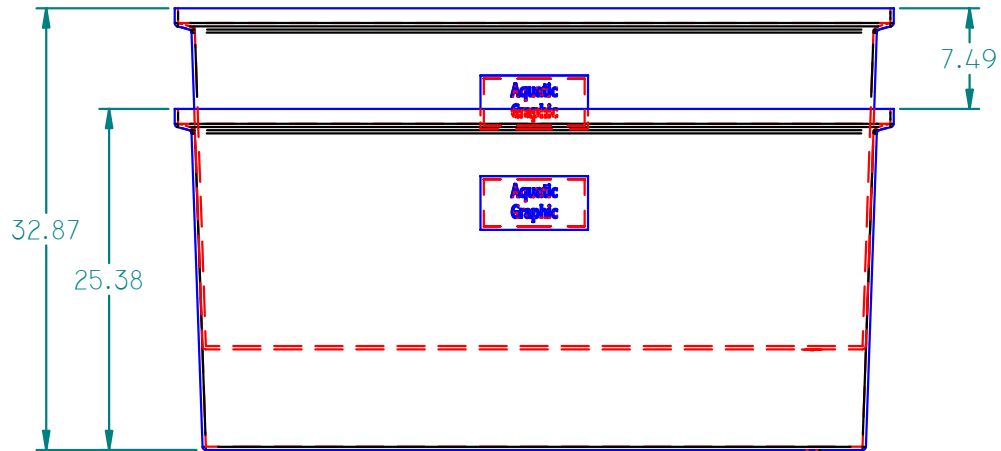
	NAME	DATE
DRAWN	MPUTT	/22/2004
CHECKED		
ENG APPR		
MGR APPR		

TITLE 180 GALLON OTR TANK		
SIZE A	MATERIAL: HDPE 218 AQUAMARINE	REV 01

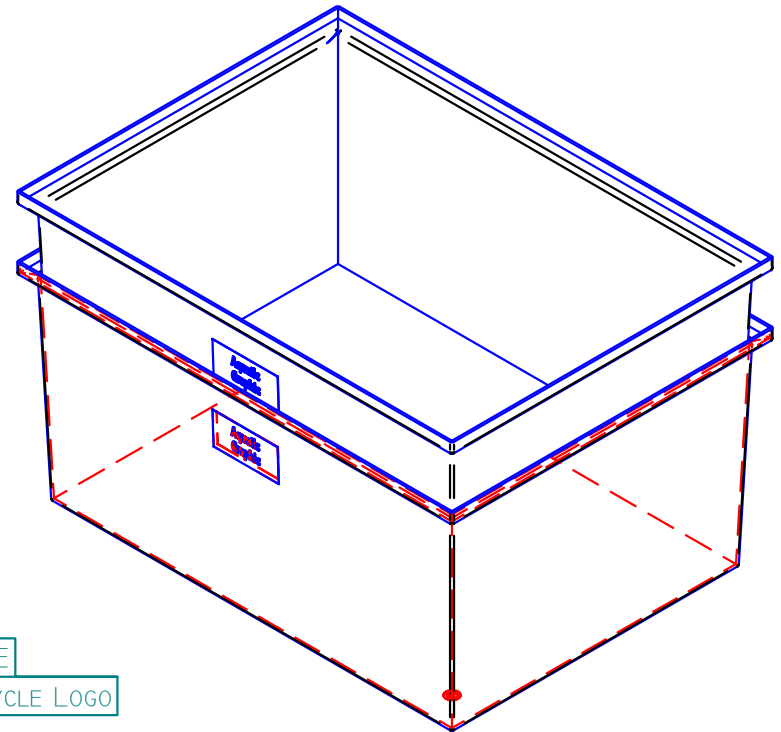
UNLESS OTHERWISE SPECIFIED
DIMENSIONS ARE IN INCHES
ANGLES ±0.5°
2 PL ±0.125" 3 PL ±0.060"

FILE NAME: OTRI80.DFT		
PART#: 502180	WEIGHT: 52.885 LBM	SHEET 1 OF 2

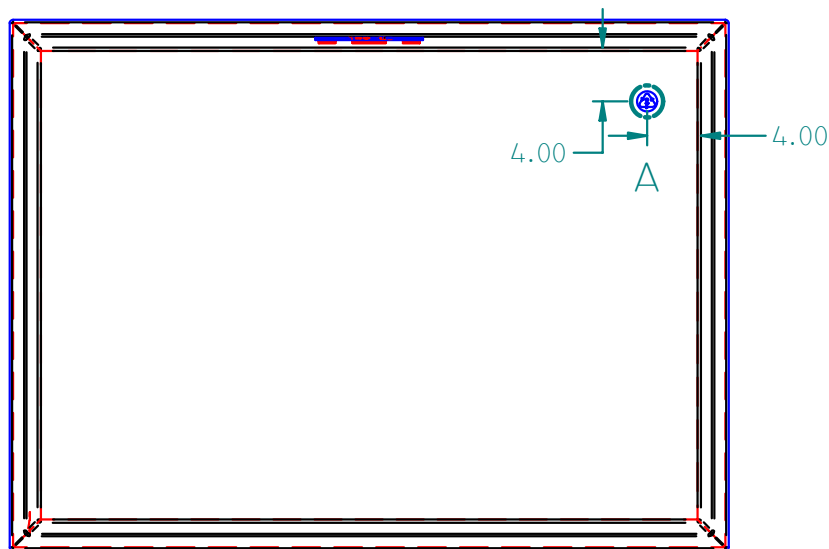
REVISION HISTORY			
REV	DESCRIPTION	DATE	APPROVED
01	OVERALL DIMENSIONAL CHANGES TO MAKE WORKING CAPACITY BELOW LIP	2/11/04	



Side View Nested



ISO VIEW NESTED




BOTTOM VIEW

HDPE
RECYCLE LOGO



DETAIL A

Tank Capacity: 180 Gallons			 16160 Hwy 27 Lake Wales, FL 33859		
DRAWN	NAME	DATE			TITLE
CHECKED	MPUTT	/22/2004	180 GALLON OTR TANK		
ENG APPR			SIZE A	MATERIAL: HDPE 218 AQUAMARINE	REV 01
MGR APPR			FILE NAME: OTRI80.DFT		
UNLESS OTHERWISE SPECIFIED DIMENSIONS ARE IN INCHES ANGLES ±0.5° 2 PL ±0.125" 3 PL ±0.060"			PART#: 502180	WEIGHT: 52.885 LBM	SHEET 2 OF 2