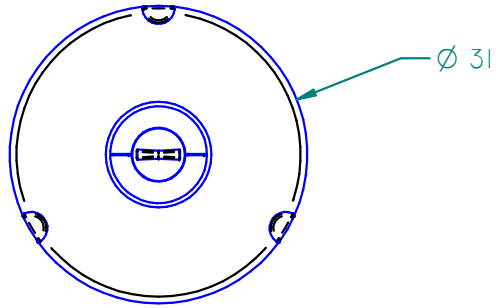
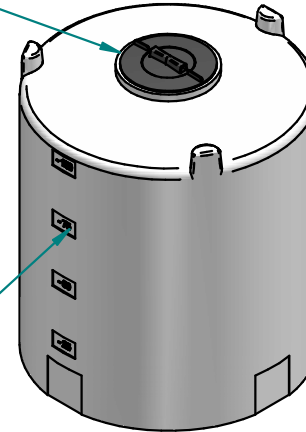


REVISION HISTORY			
REV	DESCRIPTION	DATE	APPROVED
10	UPDATED DRAWINGS ACCORDING TO CURRENT TANK	03/29/11	



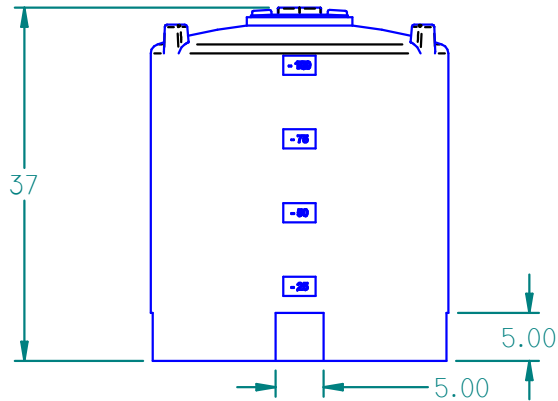
TOP VIEW

8 IN MANWAY




TANK IS CALIBRATED IN 25 GAL INCREMENTS

ISO VIEW



SIDE VIEW

WALL THICKNESS: 0.220"

			16160 Hwy 27 Lake Wales, FL 33859											
<table border="1"> <thead> <tr> <th>NAME</th> <th>DATE</th> </tr> </thead> <tbody> <tr> <td>MNEGRON</td> <td>01/18/05</td> </tr> <tr> <td>CHECKED</td> <td></td> </tr> <tr> <td>ENG APPR</td> <td></td> </tr> <tr> <td>MGR APPR</td> <td></td> </tr> </tbody> </table>	NAME	DATE	MNEGRON	01/18/05	CHECKED		ENG APPR		MGR APPR		TITLE 100 GAL VERTICAL TANK			REV 10
NAME	DATE													
MNEGRON	01/18/05													
CHECKED														
ENG APPR														
MGR APPR														
UNLESS OTHERWISE SPECIFIED DIMENSIONS ARE IN INCHES ANGLES ±0.5° 2 PL ±0.125" 3 PL ±0.060"		FILE NAME: V-100 VERTICAL 02.DFT												
PART#: 900100		WEIGHT: 32.830 LBM		SHEET 1 OF 1										