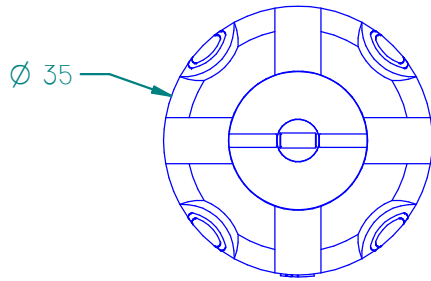
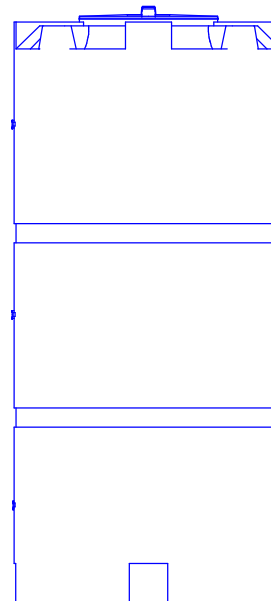
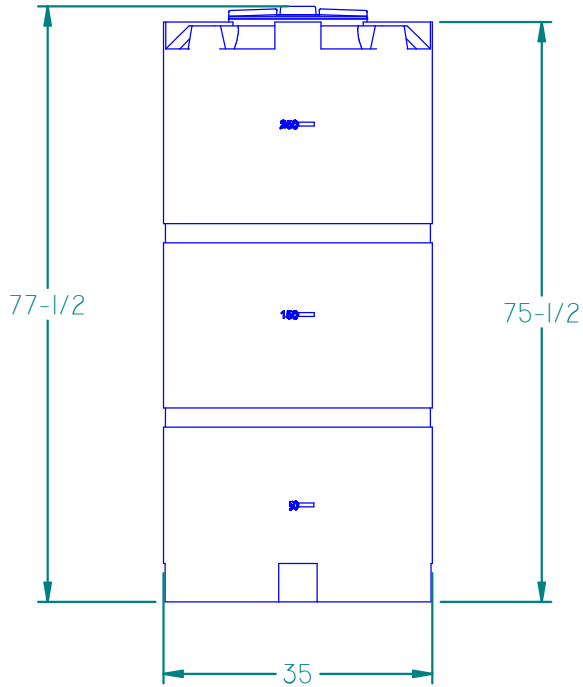
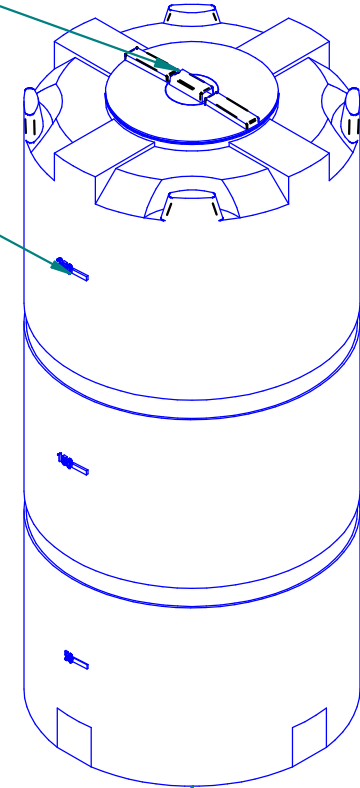


REVISION HISTORY


| REV | DESCRIPTION | DATE | APPROVED | Revised By |
|-----|--|----------|----------|------------|
| 10 | UPDATED DRAWING ACCORDING TO CURRENT TANK | 04/15/11 | | |



TANK IS CALIBRATED
IN 50 GAL INCREMENTS



| Item Number | Document Number | Title | Material | Quantity |
|-------------|-----------------|-------------------------------|-------------------------------|----------|
| 1 | 900300 | 300 Gal Vertical Tank Trimmed | Polyethylene , low density | 1 |
| 2 | 751016 | 16 in Vented Manway | | 1 |

| | | | | |
|---------------------------------|--|--------------------------------------|--------------|---|
| Weight: 84.595 lbm | | NAME | DATE |  16160 Hwy 27 Lake Wales, FL. 33859 |
| Wall Thickness: 0.25 | DRAWN By: mnegron | 7/27/2007 | | |
| Customer Part No: Not Available | Customer APPR | | | Customer: Dura-Cast Products, Inc. |
| Print Date: 4/15/2011 | MFG APPR | | | Part Title: 300 Gallon Vertical Tank |
| Comments: | Tolerance: UNLESS OTHERWISE SPECIFIED DIMENSIONS ARE IN INCHES ±1% Std Radii 3/16" | File Name: 300 Gal Water Tank 02.dft | | |
| | | Size: A | Material: | Rev: 10 |
| | | Part No: 900300 | Do Not Scale | Sheet: 1 OF 1 |