

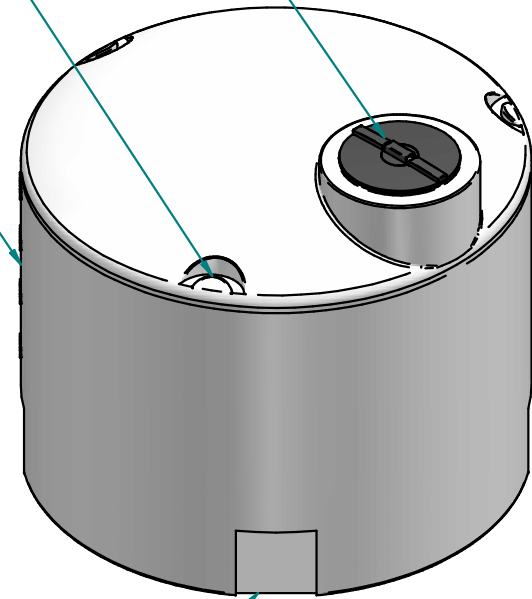
Top View

TANK IS CALIBRATED  
IN 200 GAL INCREMENTS  
UP TO 1000 GALLONS  
ALIGNED WITH FLAT SPOT

TANK TIE DOWN AREAS  
120° APART  
60° FROM MANWAY

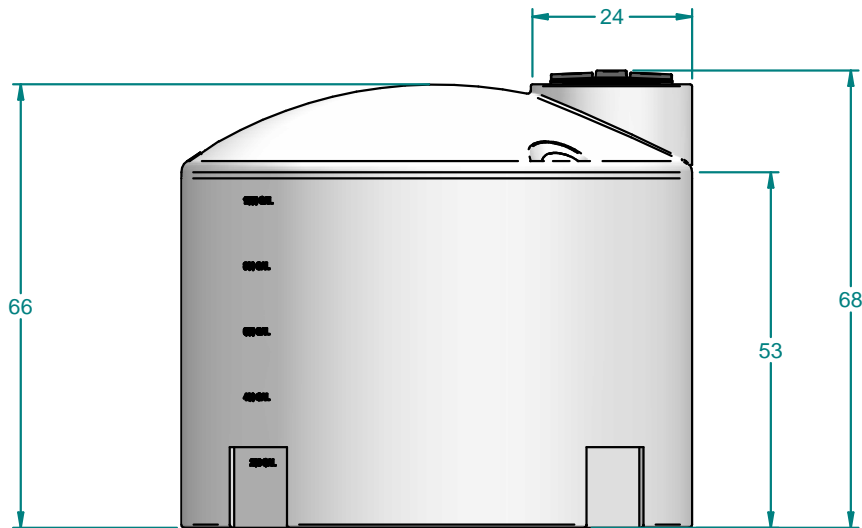
REVISION HISTORY			
REV	DESCRIPTION	DATE	APPROVED
10	UPDATED DRAWING ACCORDING TO CURRENT TANK	03/30/11	

16" MANWAY




FLAT SPOT  
90° APART  
45° FROM MANWAY

ISO View



Side View

wall thickness: 0.280"

			16160 Hwy 27 Lake Wales, FL 33859											
<table border="1"> <thead> <tr> <th>NAME</th> <th>DATE</th> </tr> </thead> <tbody> <tr> <td>mnegron</td> <td>3/30/2011</td> </tr> <tr> <td>CHECKED</td> <td></td> </tr> <tr> <td>ENG APPR</td> <td></td> </tr> <tr> <td>MGR APPR</td> <td></td> </tr> </tbody> </table>			NAME	DATE	mnegron	3/30/2011	CHECKED		ENG APPR		MGR APPR		TITLE <b>V-1200 Gallon Tank</b>	
NAME	DATE													
mnegron	3/30/2011													
CHECKED														
ENG APPR														
MGR APPR														
SIZE A		MATERIAL: hdpe natural (200)		REV <b>10</b>										
FILE NAME: 901200 01.dft														
PART#: 901200		WEIGHT: 218.456 lbm		SHEET 1 OF 1										

UNLESS OTHERWISE SPECIFIED  
DIMENSIONS ARE IN INCHES  
ANGLES ±0.5°  
2 PL ±0.125" 3 PL ±0.060"