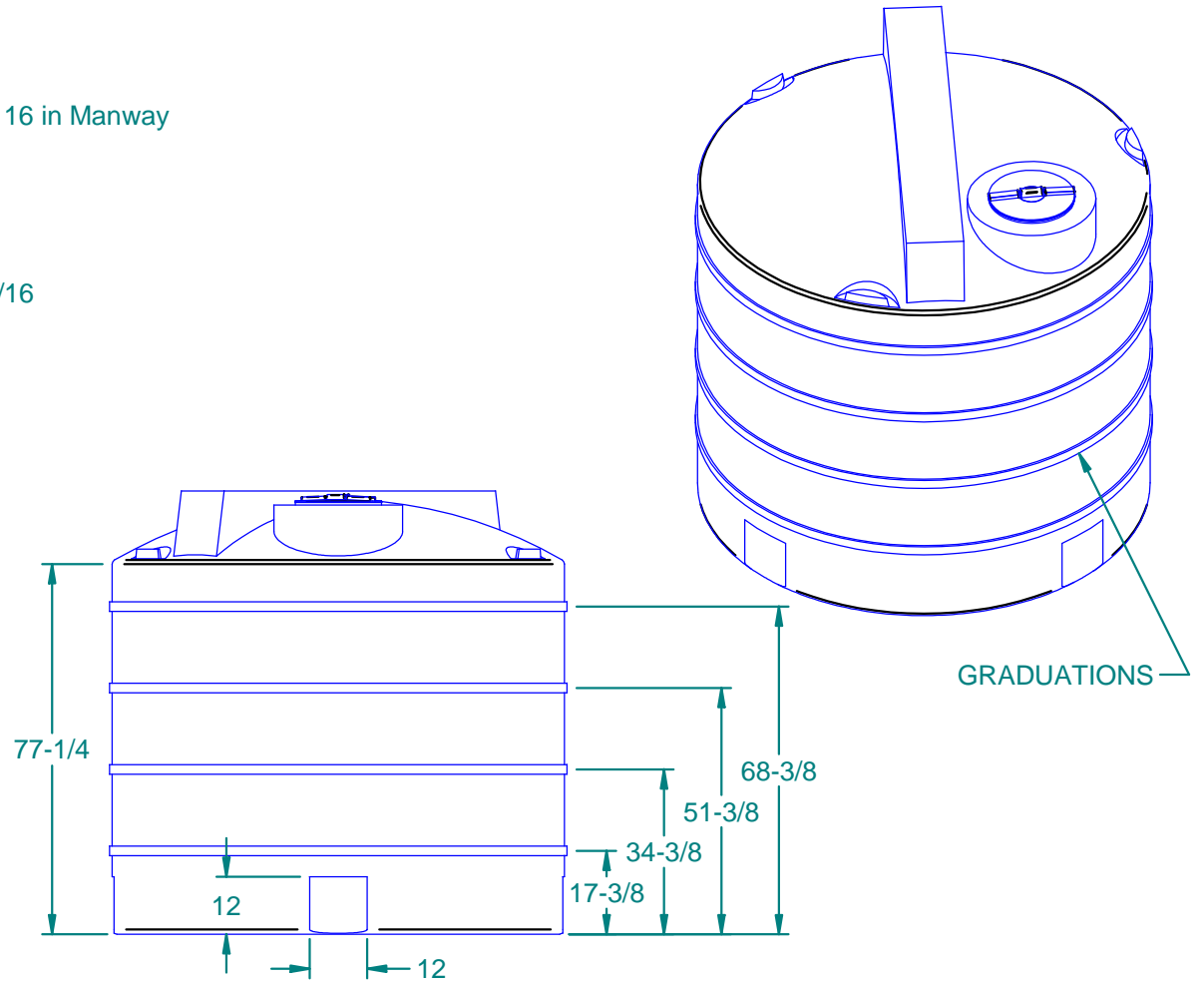
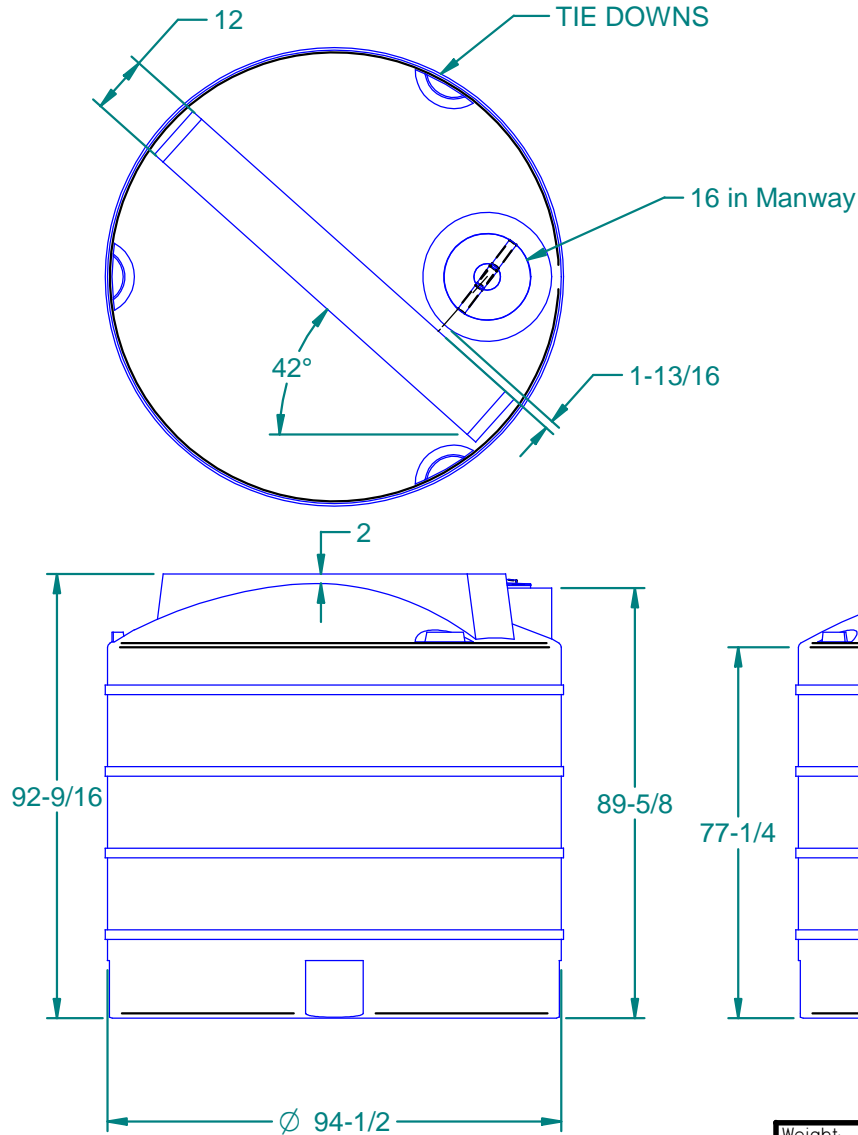



MAIN PRODUCT INFORMATION

REVISION HISTORY

REV	DESCRIPTION	DATE	APPROVED	Revised By
C	Moved Ridge Close To Manway	06/22/09		



Weight: 366.864 lbm	NAME	DATE	 16160 Hwy 27 Lake Wales, FL. 33859	
Wall Thickness: 0.280 in	Drawn By: mnegron	5/28/2009		
Customer Part No: n/a	Customer APPR		Customer:	Dura-Cast Products, Inc.
Print Date: 6/22/2009	Copyright © 2007 Dura-Cast Products, Inc.		Part Title:	V-2500 Gallon Tank
Comments: - UNLESS OTHERWISE SPECIFIED DIMENSIONS ARE IN INCHES - Std Radii 3/16"	Tolerance: UNLESS OTHERWISE SPECIFIED TOLERANCES ARE ±1%		File Name:	V-2500 Vertical (Flat Top).dft
	Size: A	Material:	Polyethylene, low density	Rev: C
	Part No:	902500	Do Not Scale	Sheet: