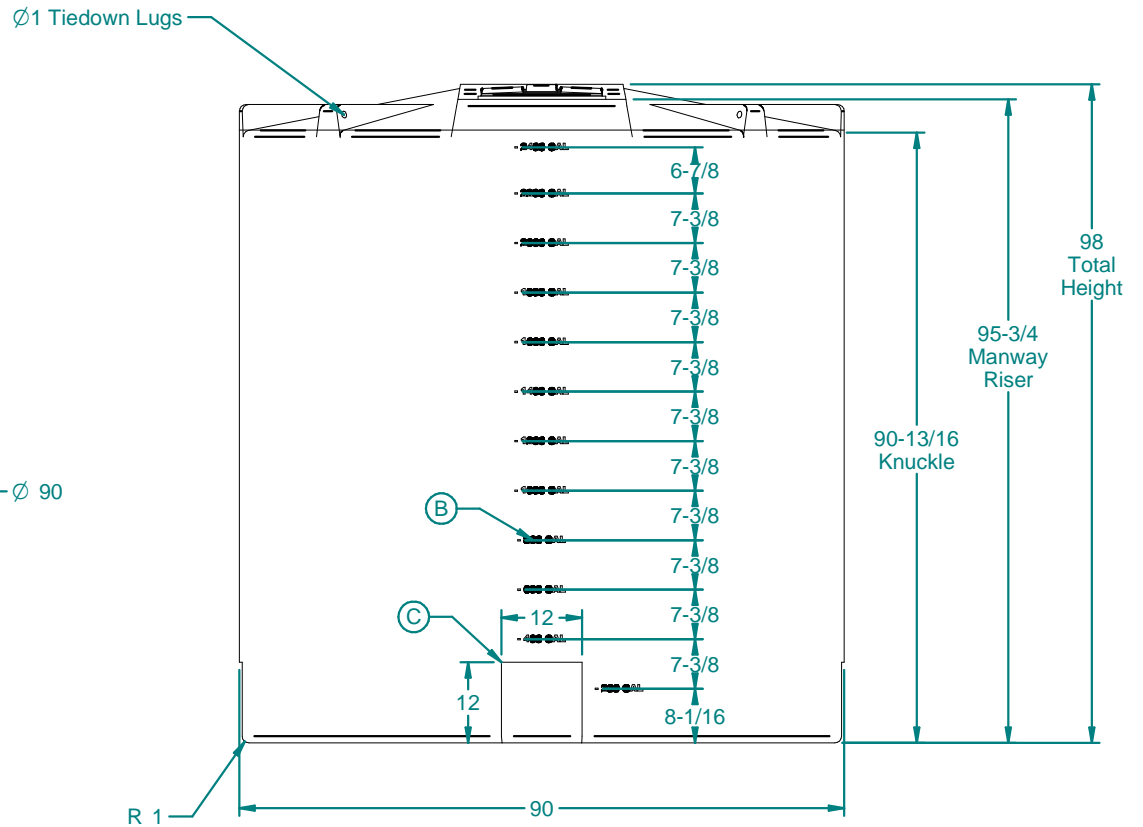
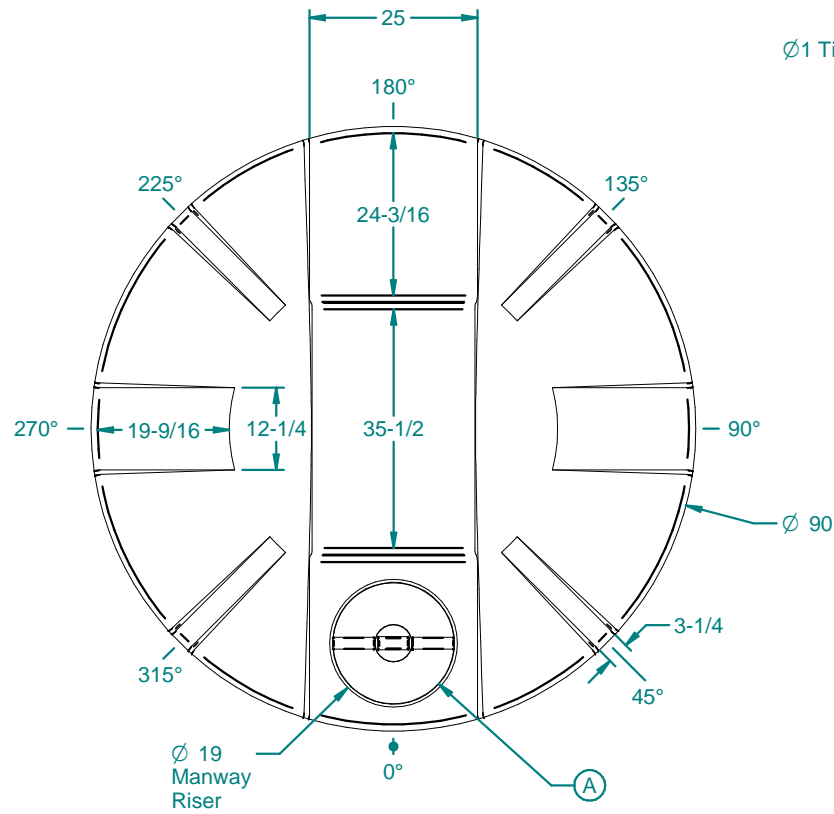


REVISION HISTORY


REV	DESCRIPTION	DATE	APPROVED	Revised By
01	REDUCED HEIGHT	09/13/16		



A. 16" HDPE Threaded - Vented Manway W/ 16" Access, Black, W/ SS Screws (P/N 751008)

B. Tank Calibration At 0° in 200 Gal Increments

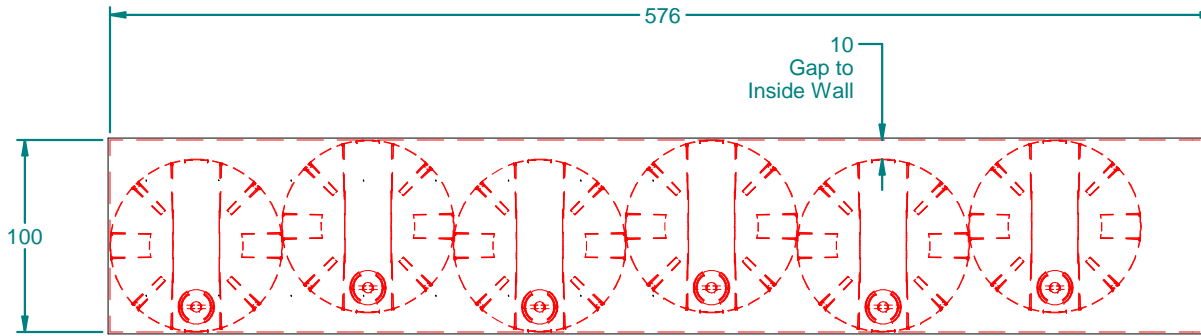
C. Tank fittings to be installed at time of shipment as per Dura-Cast procedures

Weight: 350 lbm	NAME	DATE	 16160 Hwy 27 Lake Wales, FL. 33859
Wall Thickness: 0.250 in	Drawn By: mnegron	9/15/2016	
Customer Part No: N/A	Customer APPR		Customer: Dura-Cast Products, Inc.
Print Date: 9/15/2016	Copyright © 2016 Dura-Cast Products, Inc.		Part Title: 2500 Gal Vertical Trailer Tank
Comments: - UNLESS OTHERWISE SPECIFIED DIMENSIONS ARE IN INCHES - Std Radii 3/16"	UNLESS OTHERWISE SPECIFIED TOLERANCES ARE DIMS > 10" ±1% DIMS < 10" ±0.100 WALL THICKNESS ± 20% FLATNESS ± .030 in/in		File Name: 2500 Gal Vertical Trailer Tank.dft
	Size: A	Material: HDPE 942	Rev.:
	Part No: 902501-A0200XXI	Do Not Scale	Sheet: 1 OF 3

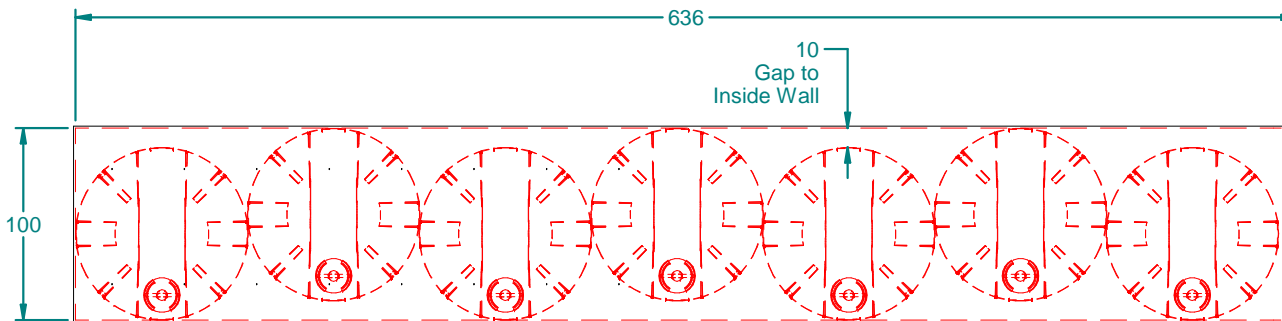
2500 Gal Vertical Trailer Tank Fitment
Standard Dry Van Trailer Dimensions

REVISION HISTORY

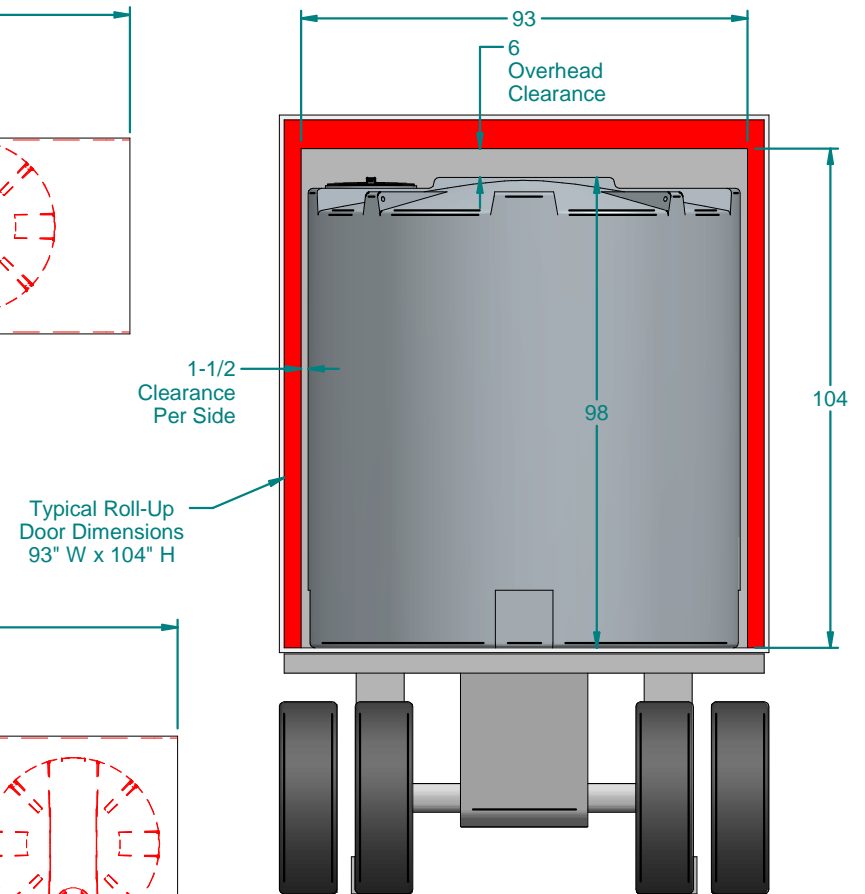
REV	DESCRIPTION	DATE	APPROVED	Revised By
01	REDUCED HEIGHT	09/13/16		




6 Tanks in 48' Dry Van



7 Tanks in 53' Dry Van

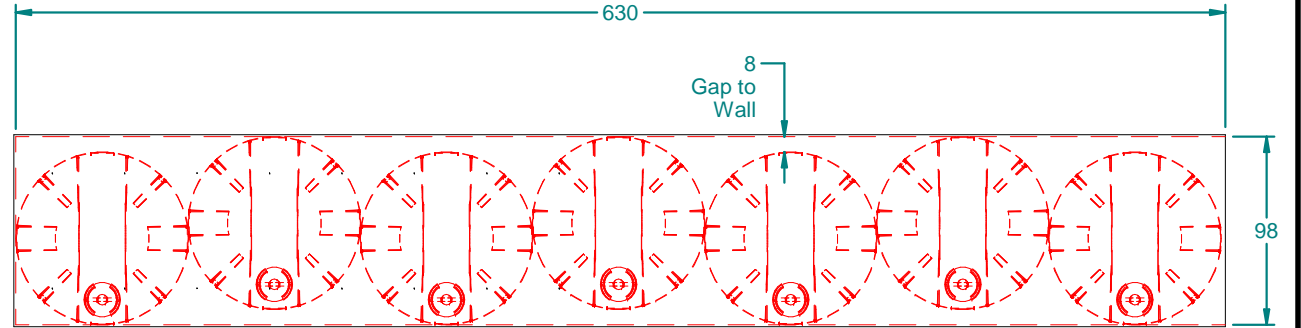
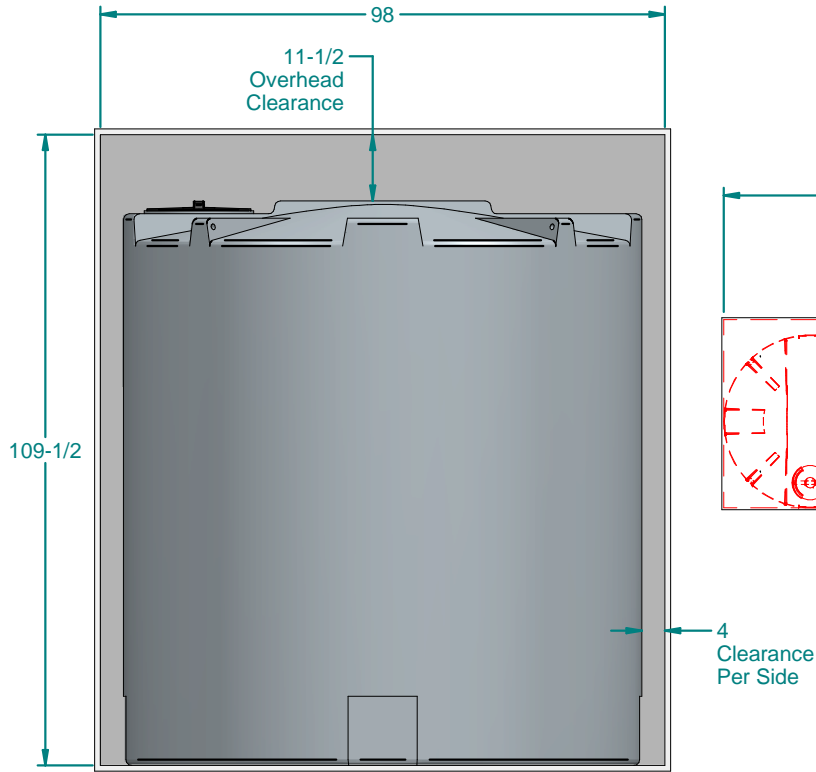


Weight: 350 lbm		NAME	DATE	 16160 Hwy 27 Lake Wales, FL. 33859	
Wall Thickness: 0.250 in	Drawn By: mnegron		9/15/2016		
Customer Part No: N/A	Customer APPR			Customer: Dura-Cast Products, Inc.	
Print Date: 9/15/2016	Copyright © 2016 Dura-Cast Products, Inc.			Part Title: 2500 Gal Vertical Trailer Tank	
Comments: - UNLESS OTHERWISE SPECIFIED DIMENSIONS ARE IN INCHES - Std Radii 3/16"	UNLESS OTHERWISE SPECIFIED TOLERANCES ARE DIMS > 10" ±1% DIMS < 10" ±0.100 WALL THICKNESS ± 20% FLATNESS ± .030 in/in		File Name: 2500 Gal Vertical Trailer Tank.dft		
			Size: A	Material: HDPE 942	Rev:
			Part No: 902501-A0200XXI	Do Not Scale	Sheet: 2 OF 3


2500 Gal Vertical Trailer Tank
Standard 53-ft High Cube Container Dimensions

REVISION HISTORY

REV	DESCRIPTION	DATE	APPROVED	Revised By
01	REDUCED HEIGHT	09/13/16		



7 Tanks in 53' High Cube Container

Weight: 350 lbm		NAME	DATE	 16160 Hwy 27 Lake Wales, FL. 33859	
Wall Thickness: 0.250 in	Drawn By: mnegron		9/15/2016		
Customer Part No: N/A	Customer APPR			Customer: Dura-Cast Products, Inc.	
Print Date: 9/15/2016	Copyright © 2016 Dura-Cast Products, Inc.			Part Title: 2500 Gal Vertical Trailer Tank	
Comments: - UNLESS OTHERWISE SPECIFIED DIMENSIONS ARE IN INCHES - Std Radii 3/16"	UNLESS OTHERWISE SPECIFIED TOLERANCES ARE DIMS > 10" ±1% DIMS < 10" ±0.100 WALL THICKNESS ± 20% FLATNESS ± .030 in/in		File Name: 2500 Gal Vertical Trailer Tank.dft		
			Size: A	Material: HDPE 942	Rev:
			Part No: 902501-A0200XXI	Do Not Scale	Sheet: 3 OF 3