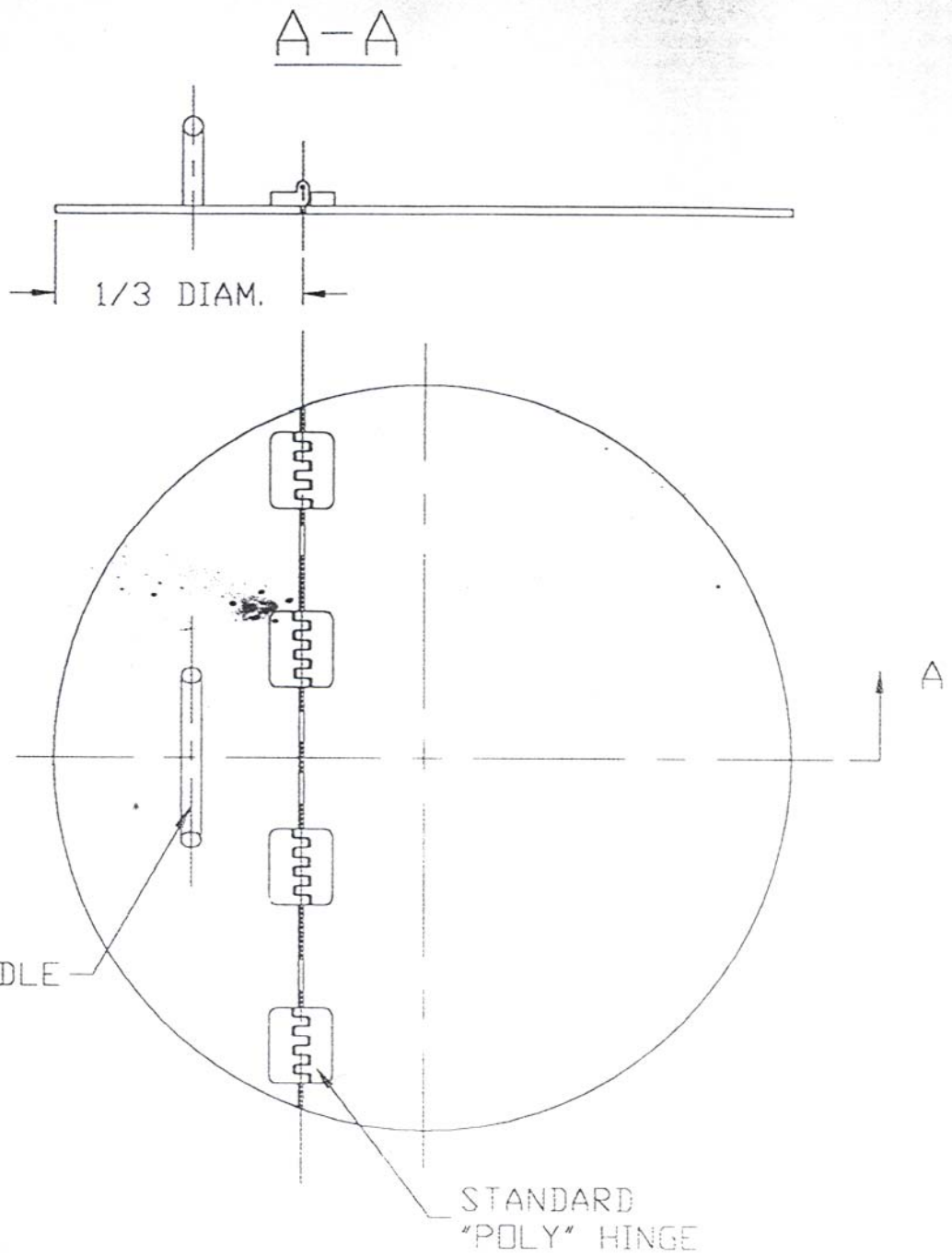


THIS DRAWING & DESIGN IS THE PROPERTY OF CHEM-TAINER INDUSTRIES INC. IT MAY NOT BE USED FOR ANY PURPOSE OTHER THAN BY THE OWNER. CHEM-TAINER DOES NOT AUTHORIZE THE REPRODUCTION OR CONVEYANCE OF ANY INFORMATION CONTAINED HEREIN.

ALL DIMENSIONS SHOWN ARE OUTSIDE PART DIMENSIONS IN INCHES, AND VARY BY THE STANDARD ROTATIONAL MOLDING TOLERANCE OF ±2%.



Diam of Cover	Number of Hinges	Thickness of Polyethylene	Hinged Area (Dia)
up to 22	2	1/4"	1/2
23-48	4	1/4"	1/3
49-60	5	3/8"	1/3
61-72	6	1/2"	1/3

Rev. 0	Date 04/09/00	File Name HingeCov
CHEM-TAINER		
Industries Inc. 361 Neptune Ave. V.Babylon, NY 11704 (631) 661-8300 Fax (631) 661-8209		
Date 04/09/00	Drawn By: IIA	Scale
TITLE HINGE COVER		
Part # FH SERIES	Dwg. # TC-FH-10	Cust. Rep.