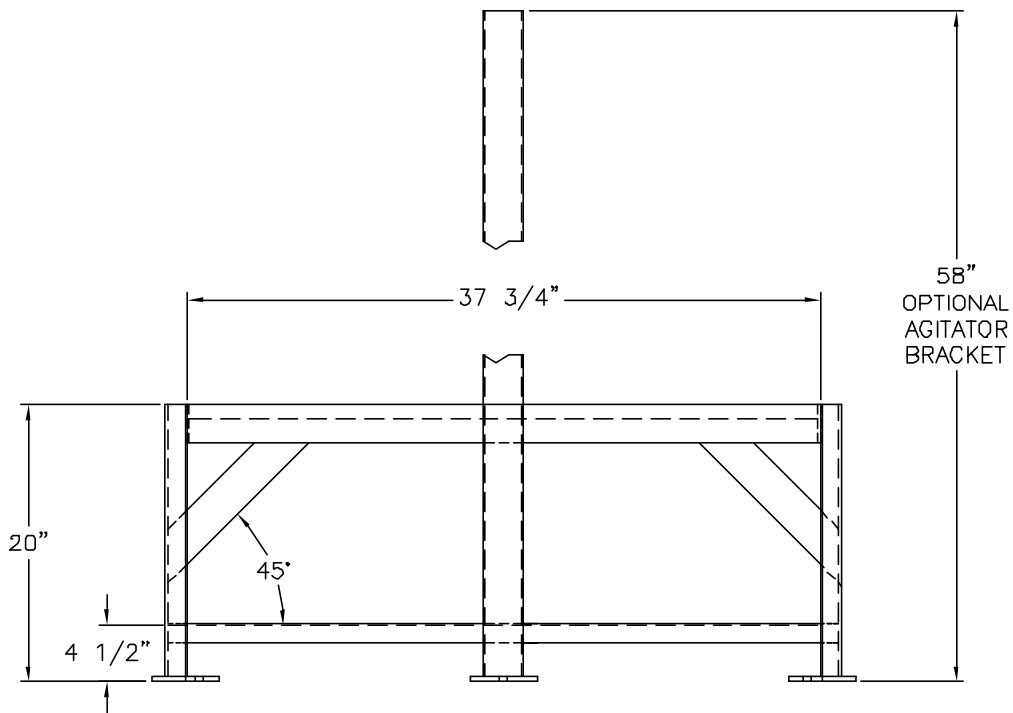
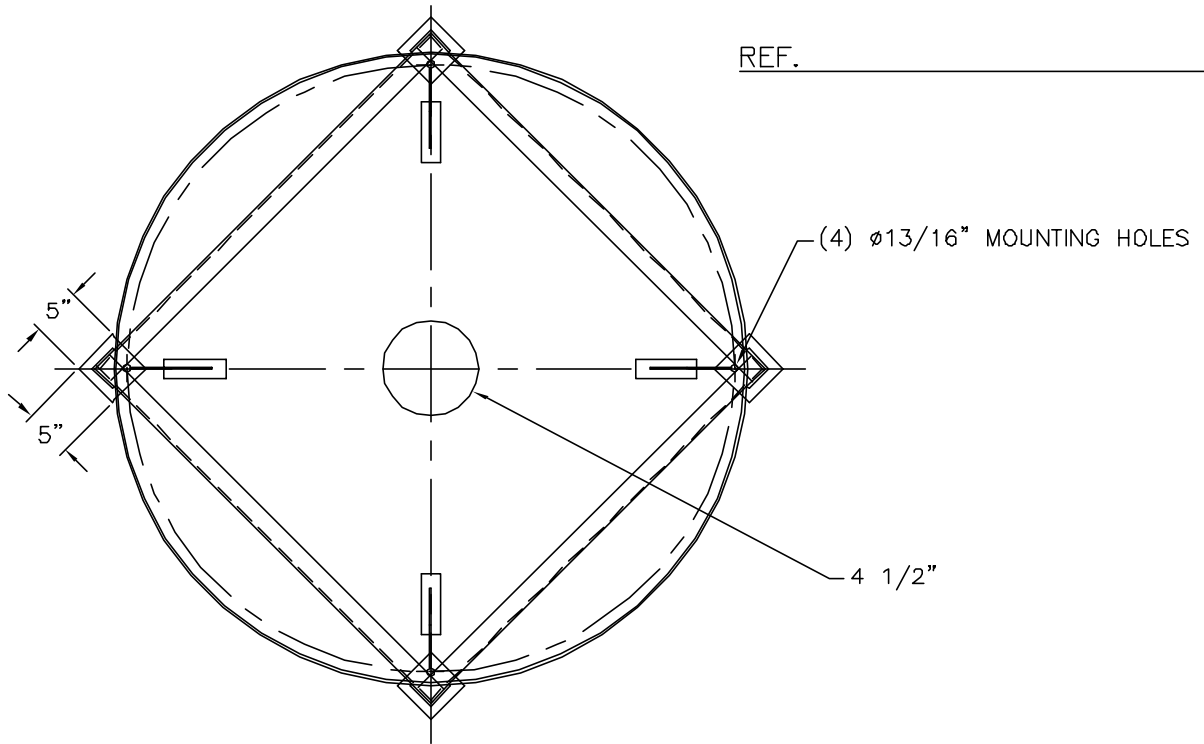


REF. \_\_\_\_\_



NOTE:  
ALL DIMENSIONS ARE APPROXIMATE  
NOT INTENDED FOR FABRICATION

Rev. 0	Date	File Name	
<b>CHEM-TAINER</b>		Date	Scale
Industries Inc.		09/13/02	
361 Neptune Ave. N. Babylon, NY 11704		Drawn By:	Cust. Rep.
(631) 661-8300 Fax: (631) 661-8209		K.Y.	
TITLE			
125 GALLON FLAT BOTTOM METAL STAND			
Part #		Dwg. #	
TC-3630AK/AM			