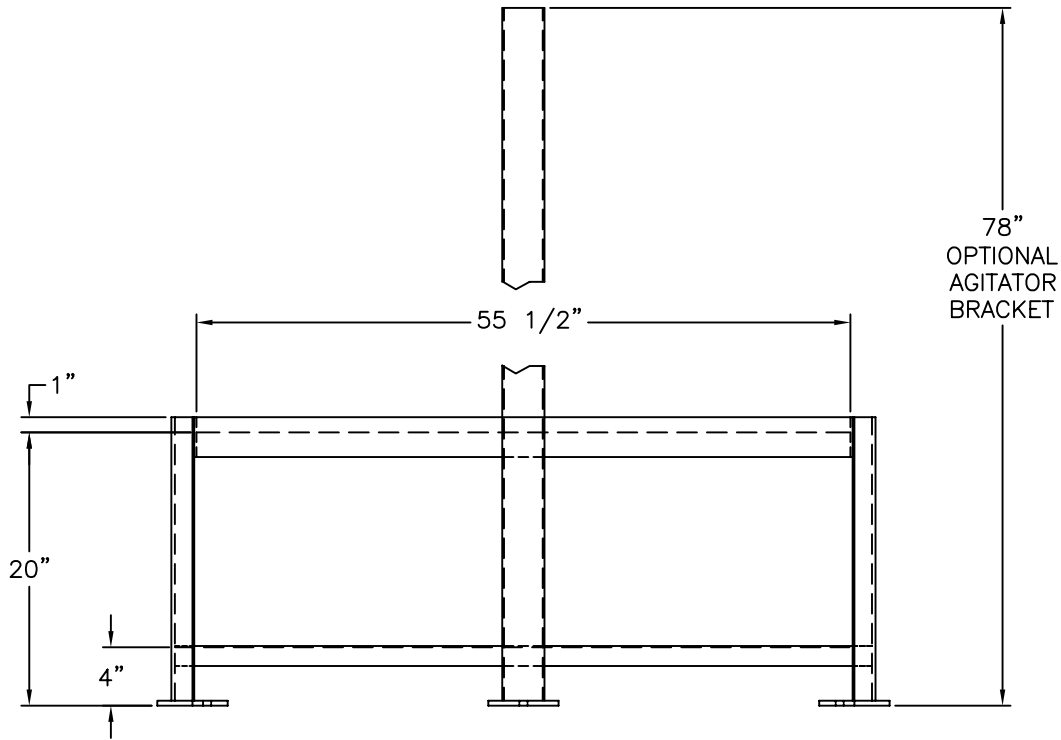
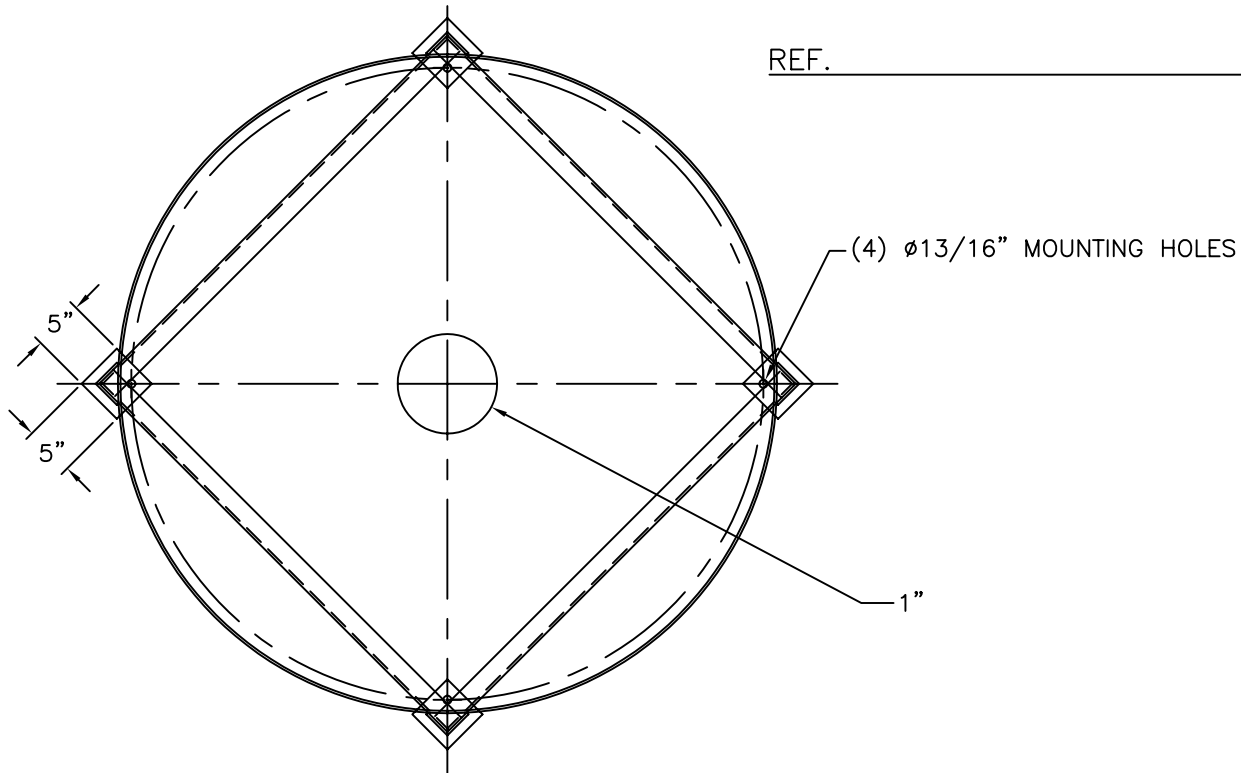


REF. _____



NOTE:
ALL DIMENSIONS ARE APPROXIMATE
NOT INTENDED FOR FABRICATION

| | | | |
|--|------|-------------------|------------|
| Rev. 0 | Date | File Name | |
| CHEM-TAINER Industries Inc. 361 Neptune Ave. N. Babylon, NY 11704 (631) 661-8300 Fax: (631) 661-8209 | | Date 02/22/05 | Scale |
| TITLE 360 GALLON FLAT BOTTOM METAL STAND | | Drawn By: K.Y. | Cust. Rep. |
| Part # TC-4848AK/AM | | Dwg. # | |