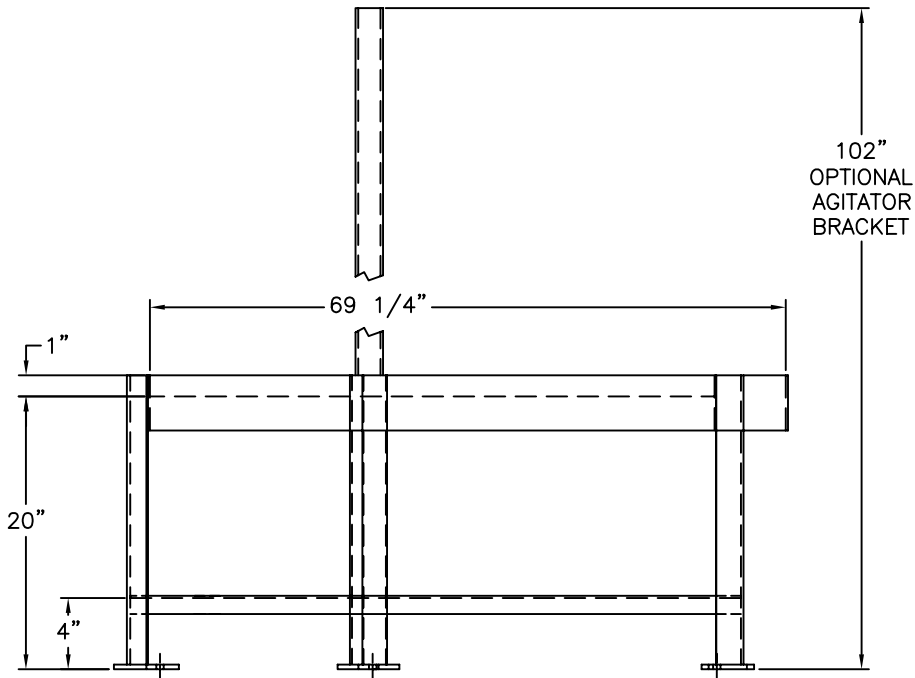
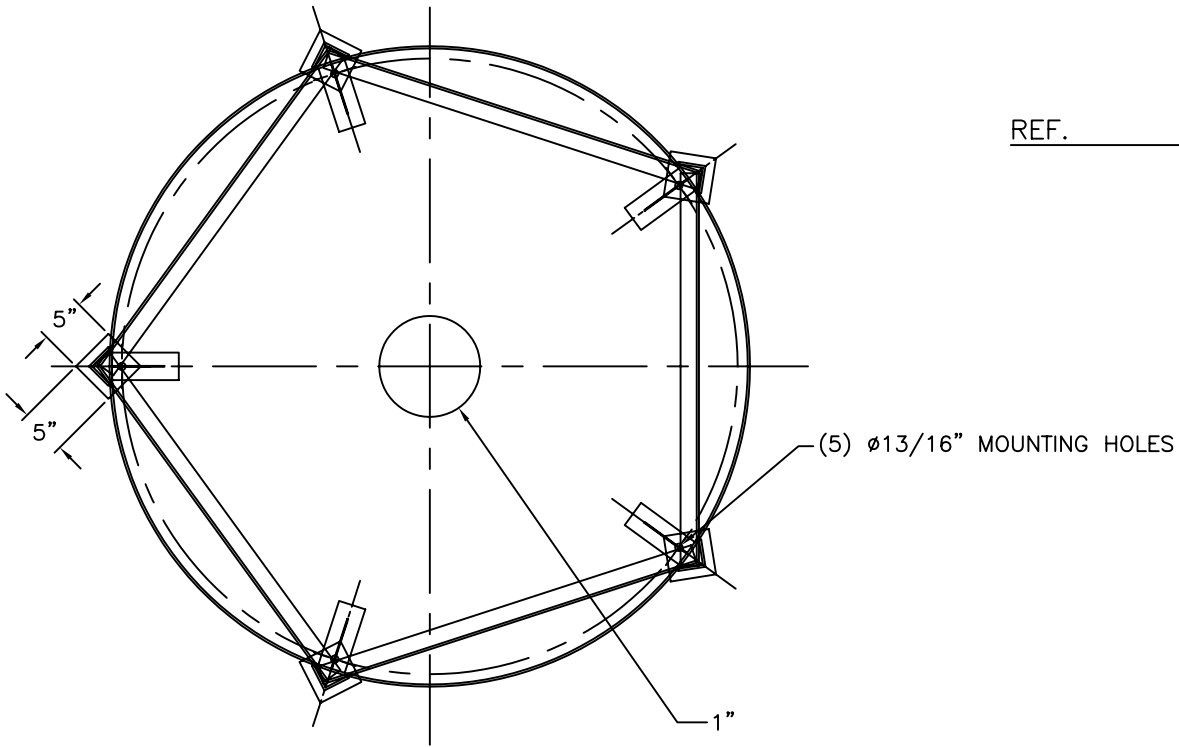


REF. _____



NOTE:
ALL DIMENSIONS ARE APPROXIMATE
NOT INTENDED FOR FABRICATION

Rev.	Date	File Name	
CHEM-TAINER		Date	Scale
Industries Inc.		02/22/05	
361 Neptune Ave. N. Babylon, NY 11704		Drawn By:	Cust. Rep.
(631) 661-8300 Fax: (631) 661-8209		K.Y.	
TITLE			
1000 GALLON FLAT BOTTOM METAL STAND			
Part #		Dwg. #	
TC-6672AK/AM			