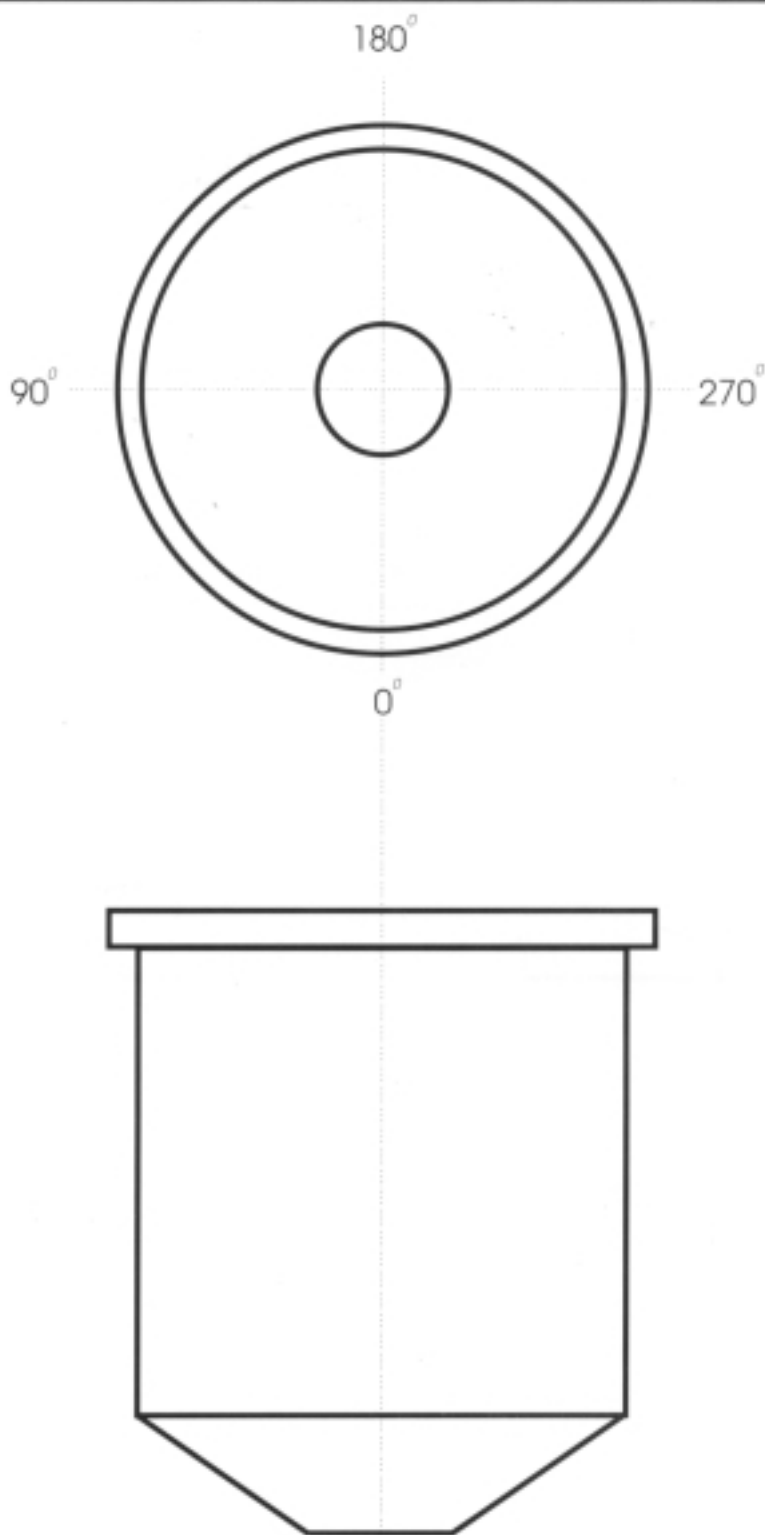


NOTES:

**IMPORTANT
SEE PAGES
34 & 35
FOR
INSTRUCTIONS**

CHEM-TAINER
INDUSTRIES INC.
FAX NO. 516-661-8209
TANK CAPACITY: _____
TANK D."X H.": _____ " X _____ "
TANK STYLE SELECTED: _____
DATE: _____ REF. NO.: _____

TANK STYLE
**JA
JC
JP**



NOTES:

**IMPORTANT
SEE PAGES
34 & 35
FOR
INSTRUCTIONS**

CHEM-TAINER
INDUSTRIES INC.

FAX NO. 516-661-8209

TANK CAPACITY: _____

TANK D."X H.": _____' X _____'

TANK STYLE SELECTED: _____

DATE: _____ REF. NO.: _____

TANK STYLE

**CA
CB
CC
CD**