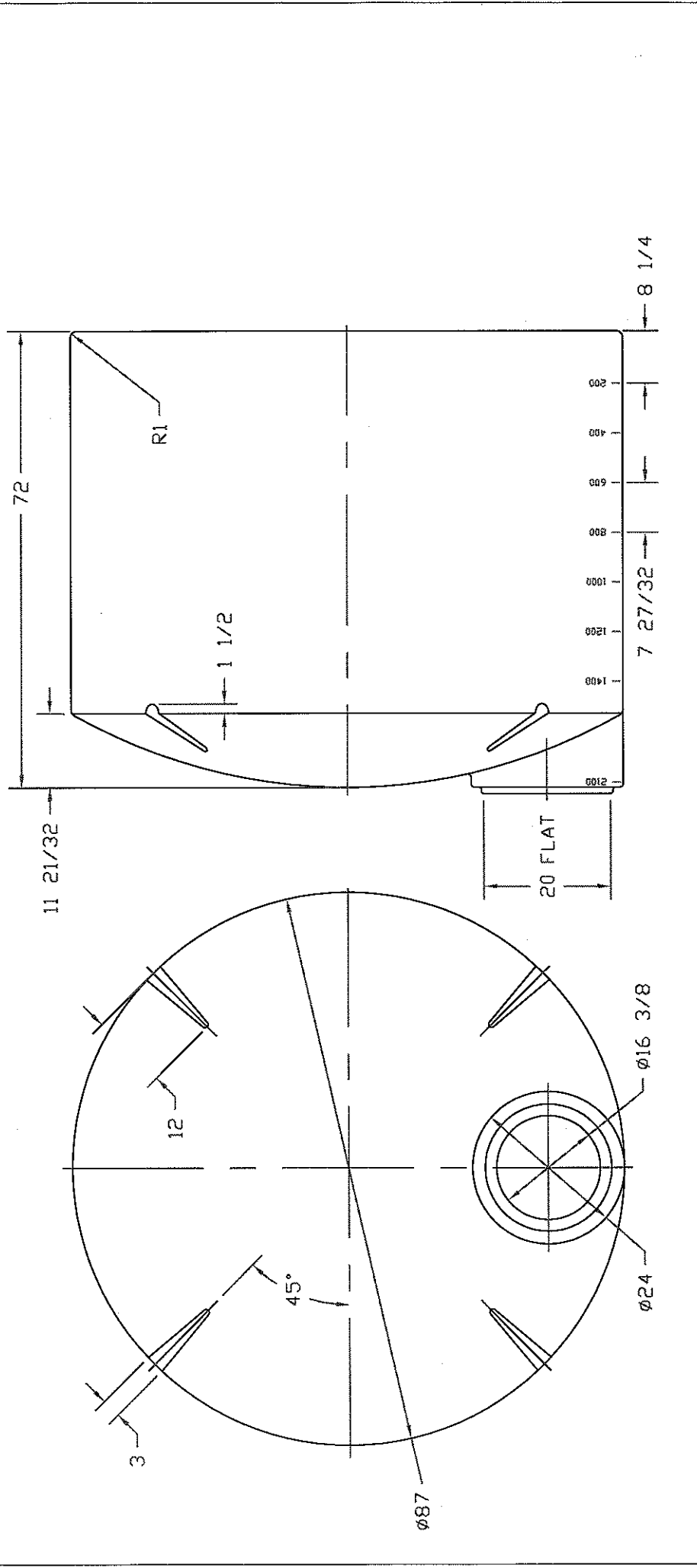


REVISIONS			
ZONE	REV	DESCRIPTION	DATE
	C	REDRAWN	02 JAN 97
			APPROVED



NORWESCO		ST. BONIFACIUS, MN	
1700 GALLON VERTICAL		TANK	
JTP	02JAN97	DWG NO.	REV
		B	C
SCALE 1/16		SHEET	