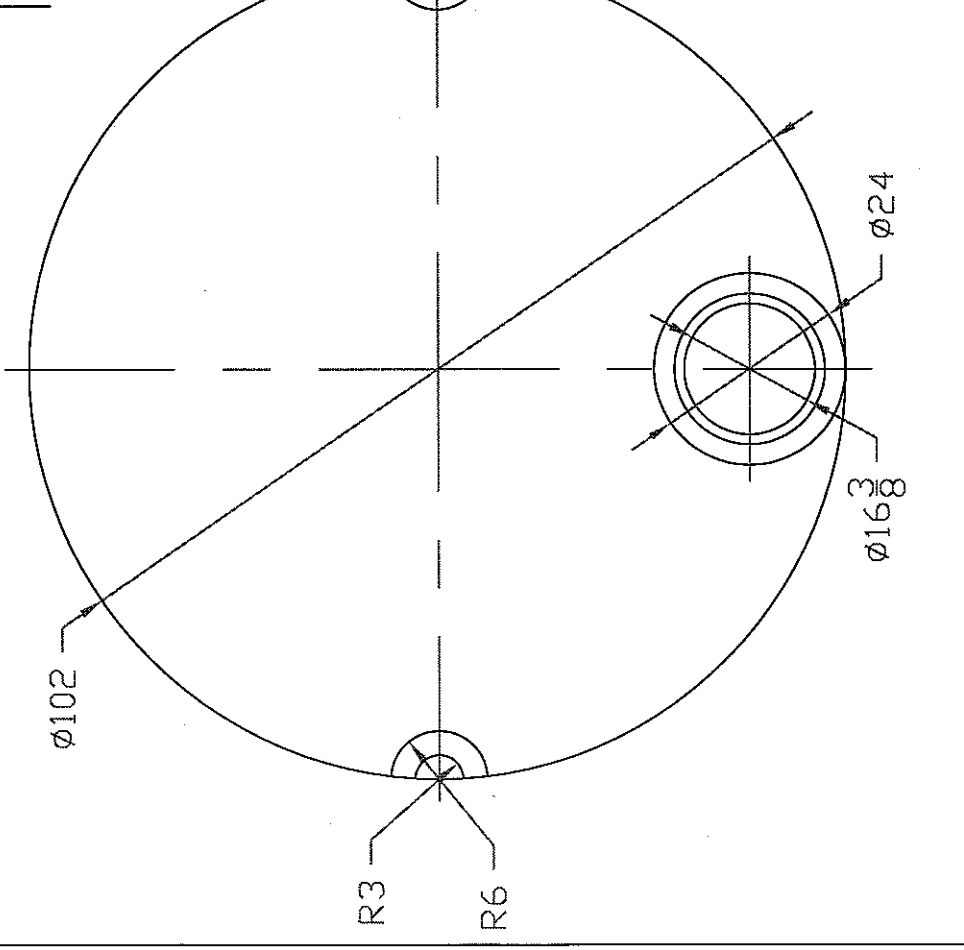
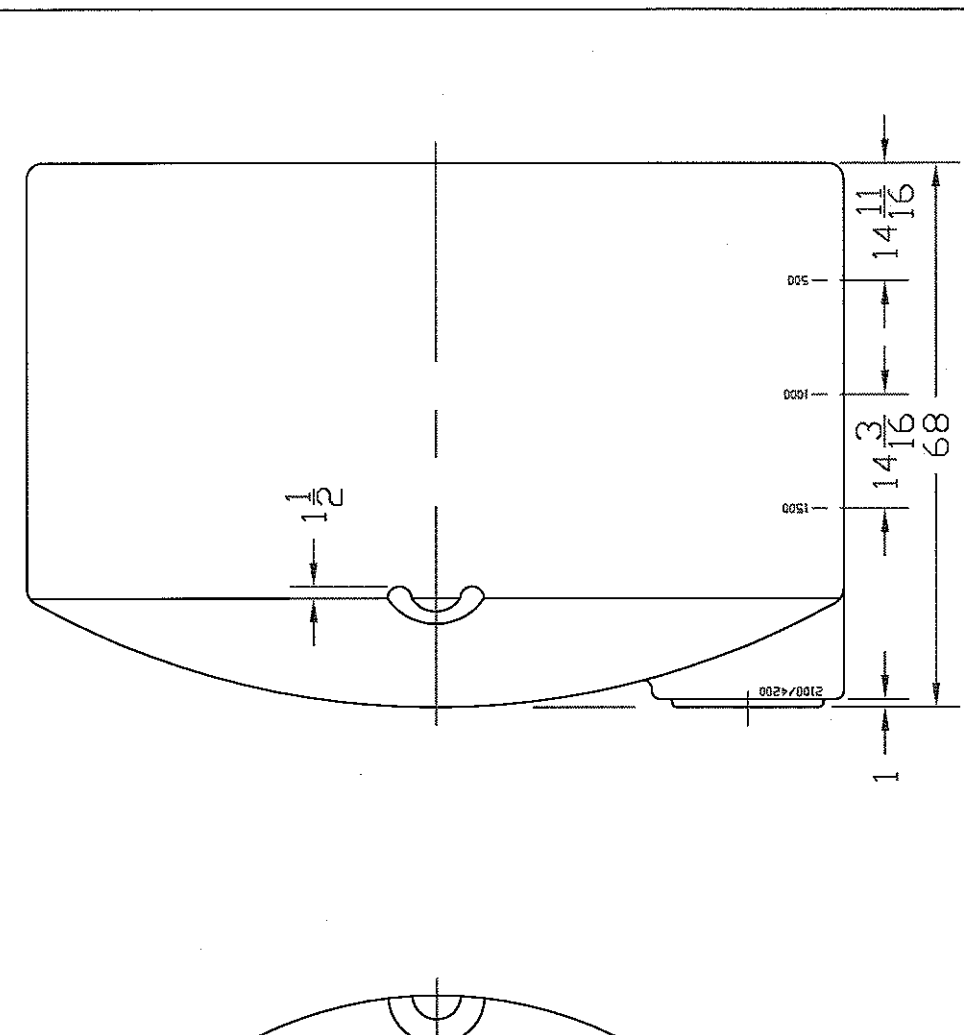


REVISIONS		
ZONE	REV	DESCRIPTION



NORWESCO		REV
ST. BONIFACIUS, MN		
2100 GALLON (X 102 DIA)		
VERTICAL STORAGE TANK		
SIZE	FSCM NO.	DWG NO.
A		
SCALE 1/24		SHEET

JTP	29AUG01
-----	---------