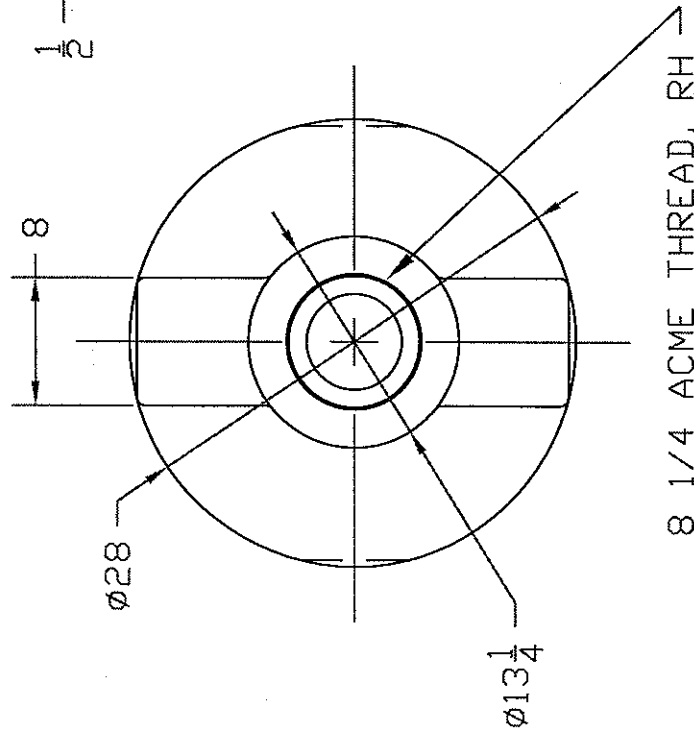
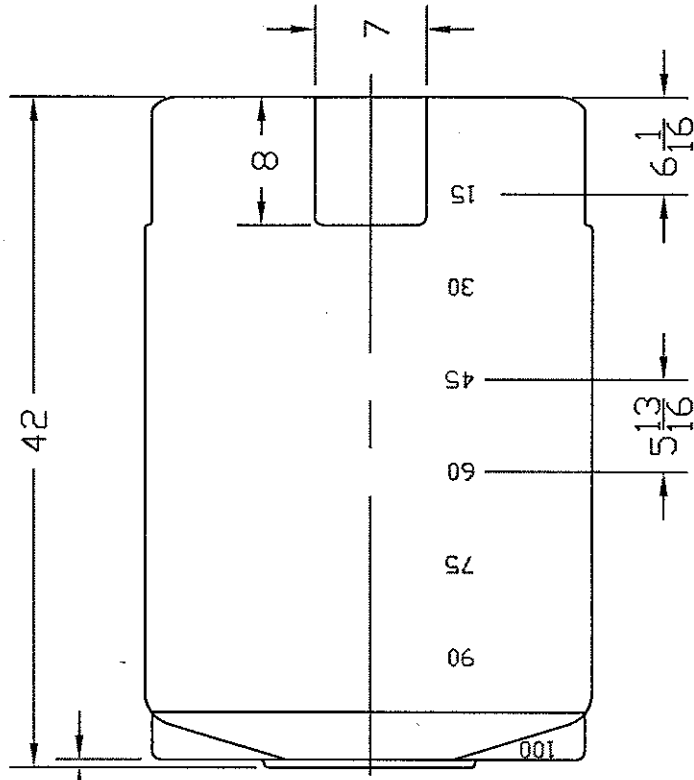


REVISIONS

ZONE	REV	DESCRIPTION	DATE	APPROVED



NORWESCO
ST. BONIFACIUS, MN

100 GALLON VERTICAL
TANK X 28 DIAMETER

JTP 06JUN03	SIZE A	FSCM NO.	DWG NO.	REV
SCALE 1/12			SHEET	