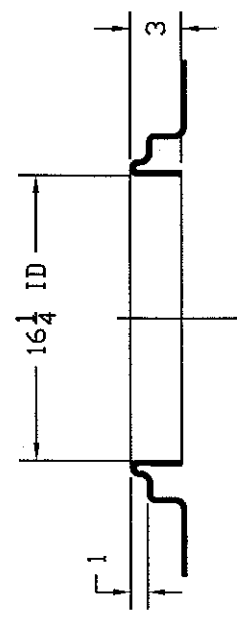
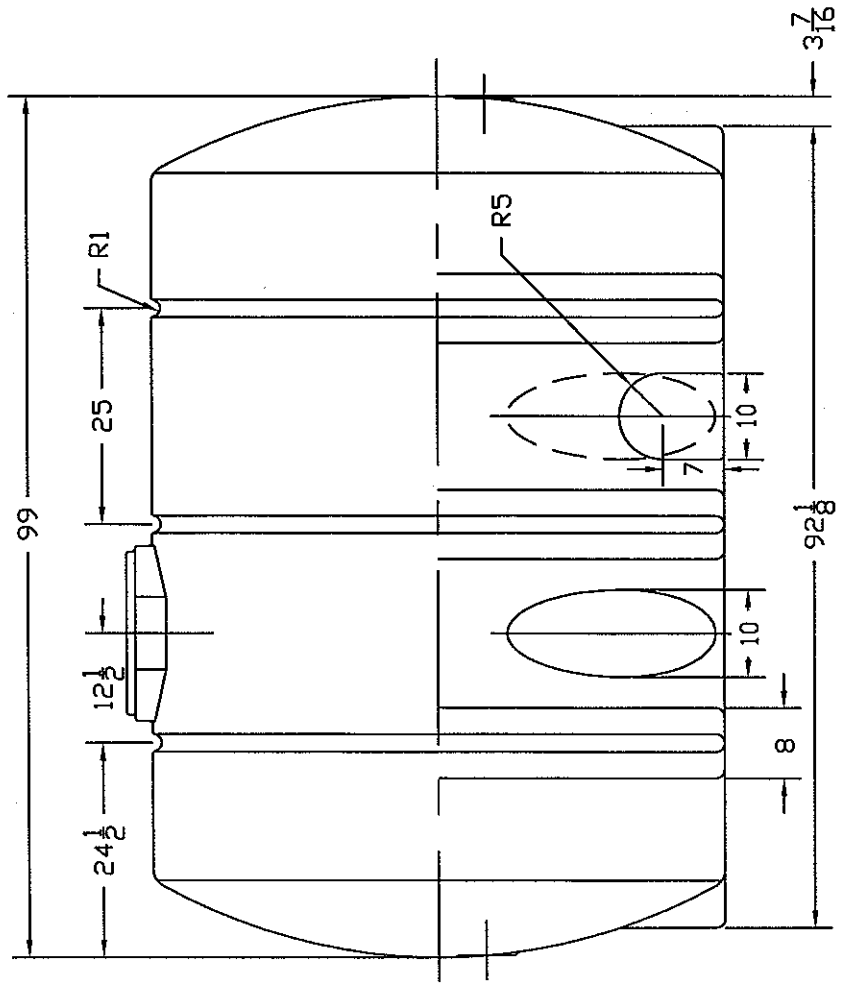
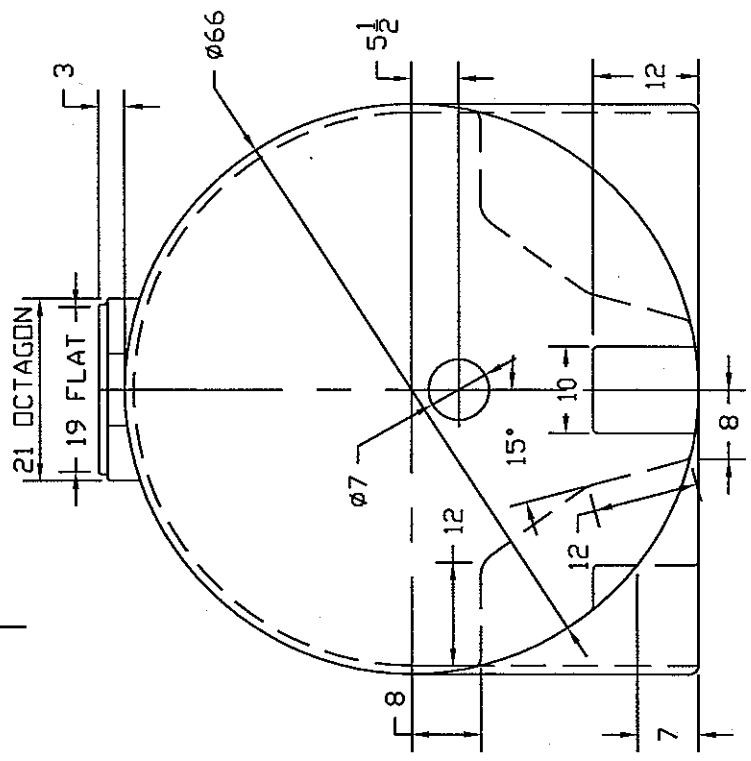


REVISIONS		
ZONE	REV	DESCRIPTION

DATE	APPROVED



FILLWELL DETAIL - 1/8" SCALE



NORWESCO		ST. BONIFACIUS, MN	
1325 GALLON HORIZONTAL		LEG TANK	
JTP	04AUG03	SIZE	FSCM NO.
		B	
		DWG NO.	
		SCALE	1/16
		SHEET	