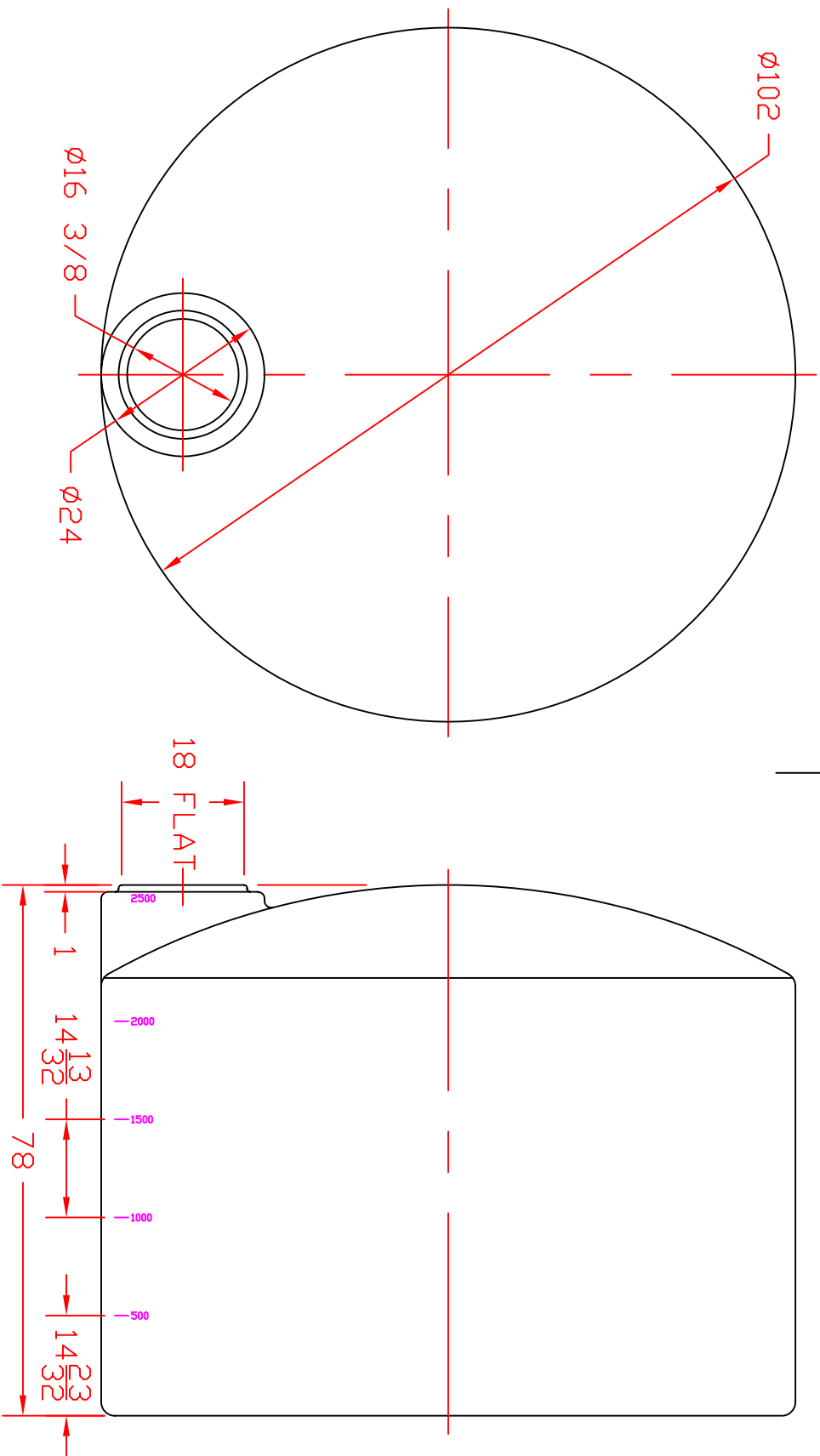



REVISIONS				
ZONE	REV	DESCRIPTION	DATE	APPROVED



 NORWESCO ST. BONIFACIUS, MN				JTP 19FEB04	
				SCALE 1/24	
2500 GALLON VERTICAL TANK X 102				SIZE	REV
FSCM NO.				DWG NO.	