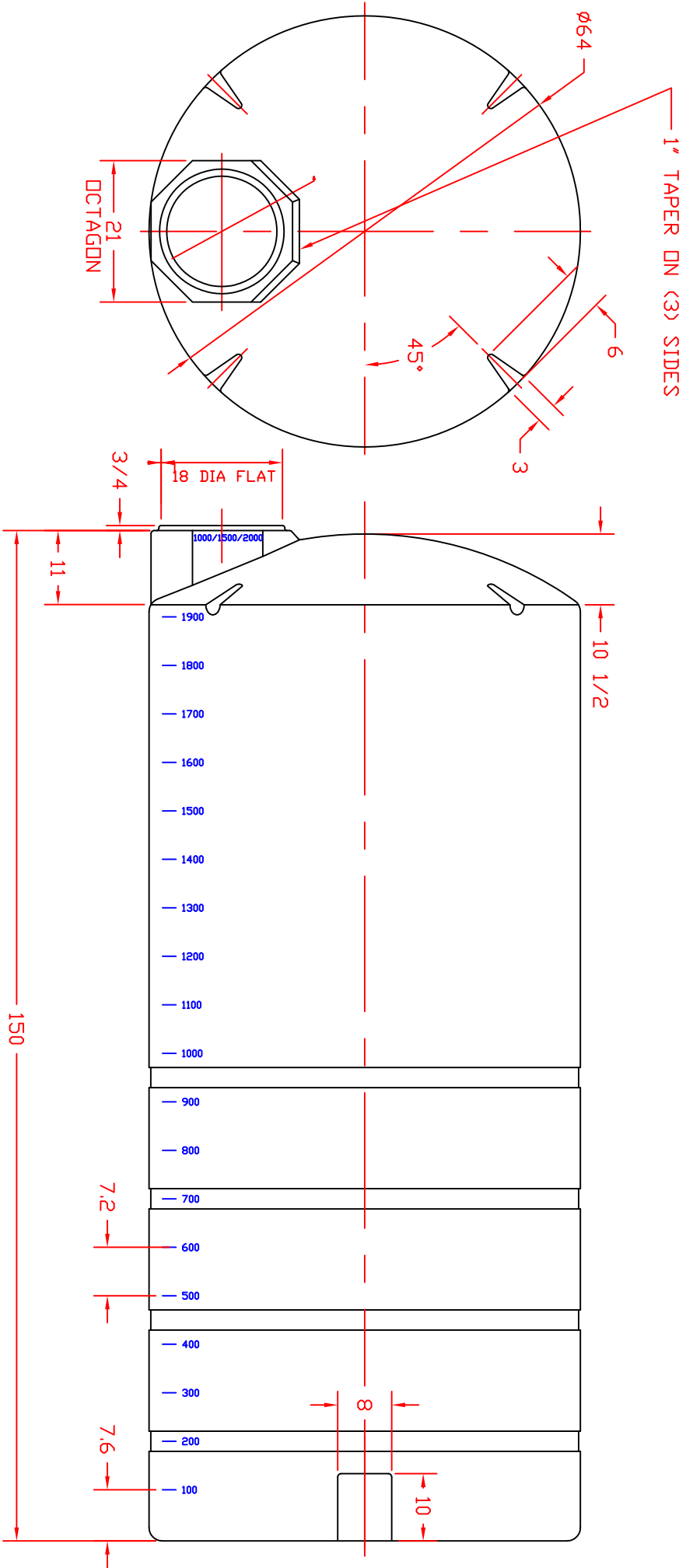


REVISIONS				
ZONE	REV	DESCRIPTION	DATE	APPROVED



FOB HANFORD, CA

		ST. BONIFACIUS, MN 2000 GALLON VERTICAL STORAGE TANK	
JTP 10MAY96	SCALE 1/16	DWG NO.	REV