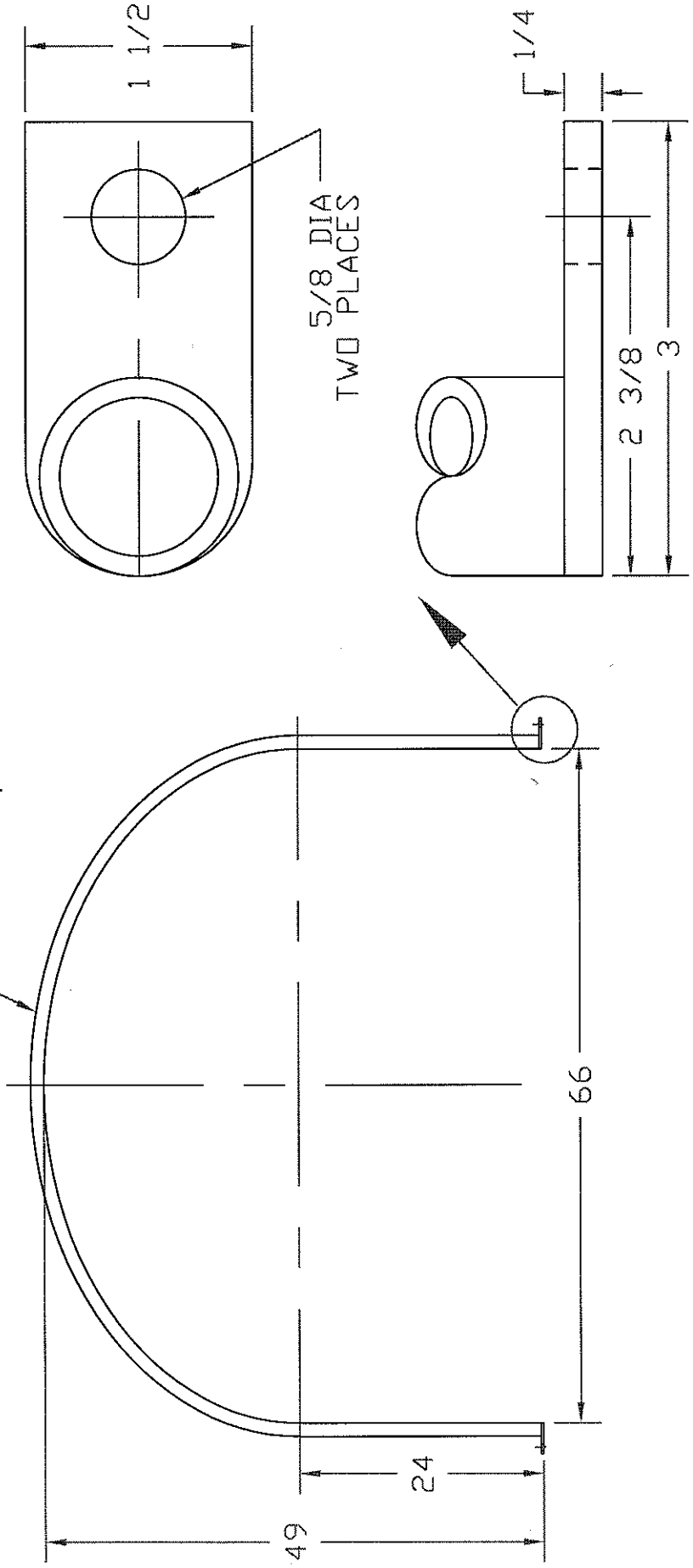


REVISIONS			
ZONE	REV	DESCRIPTION	DATE

1" BLACK PIPE



FULL SCALE DETAIL

**NORWESCO**  
ST. BONIFACIUS, MN

BAND, 1610 ELLIPTICAL  
DRAINABLE LEG TANK

NOTE: WELD WITH LOW HYDROGEN ROD  
FINISH: HOT DIPPED GALVANIZED

JTP	19NOV98	SIZE	FSCM NO.	DWG NO.	REV
		A			
SCALE 1/16				SHEET	