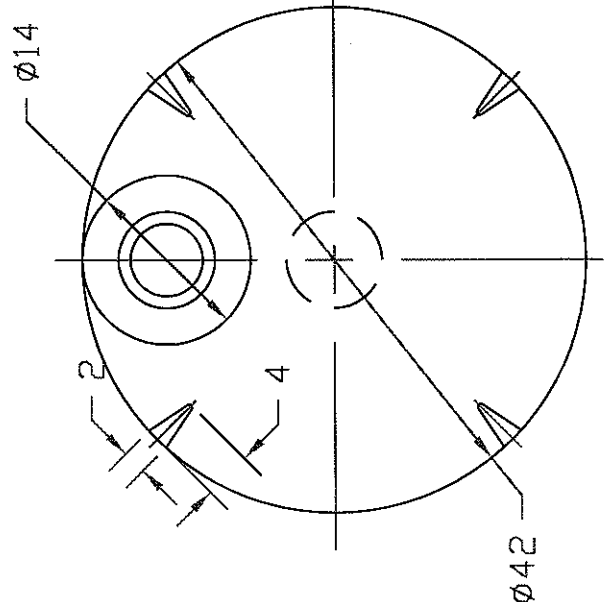
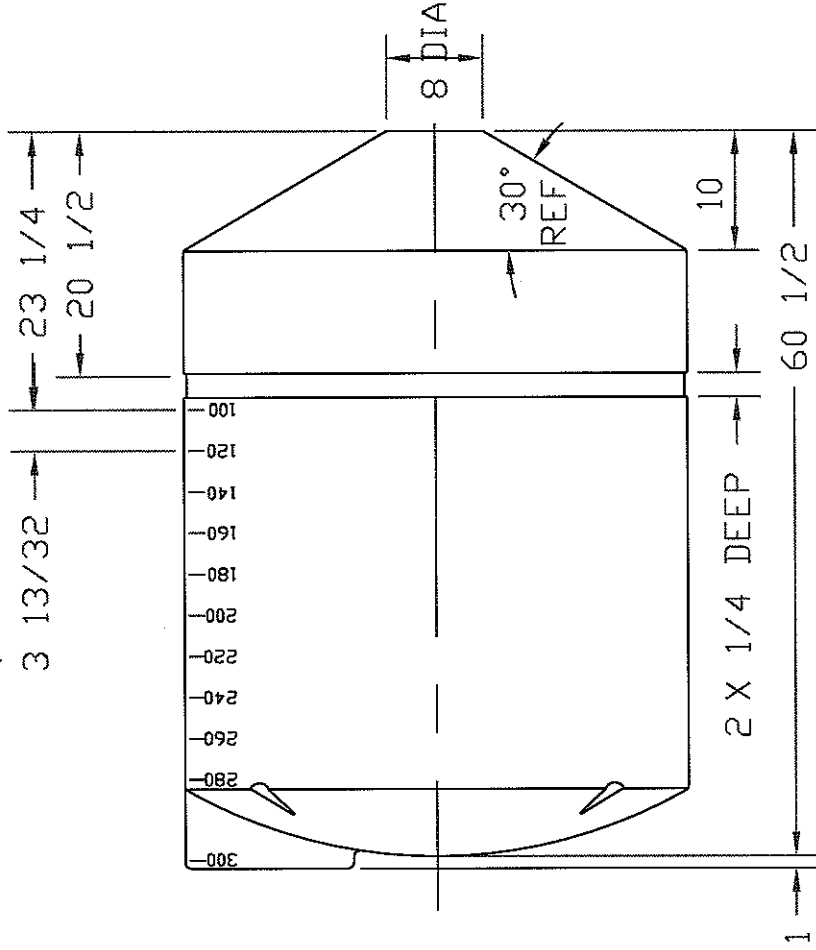


REVISIONS

ZONE	REV	DESCRIPTION	DATE	APPROVED
A	P/N	WS 62443	01NOV01	



NORWESCO
ST. BONIFACIUS, MN

310 GALLON CONE BOTTOM
TANK W/O STAND

JTP	30JUN99	SIZE	FSCM NO.	DWG NO.	REV
		A			A
SCALE 1/16				SHEET	