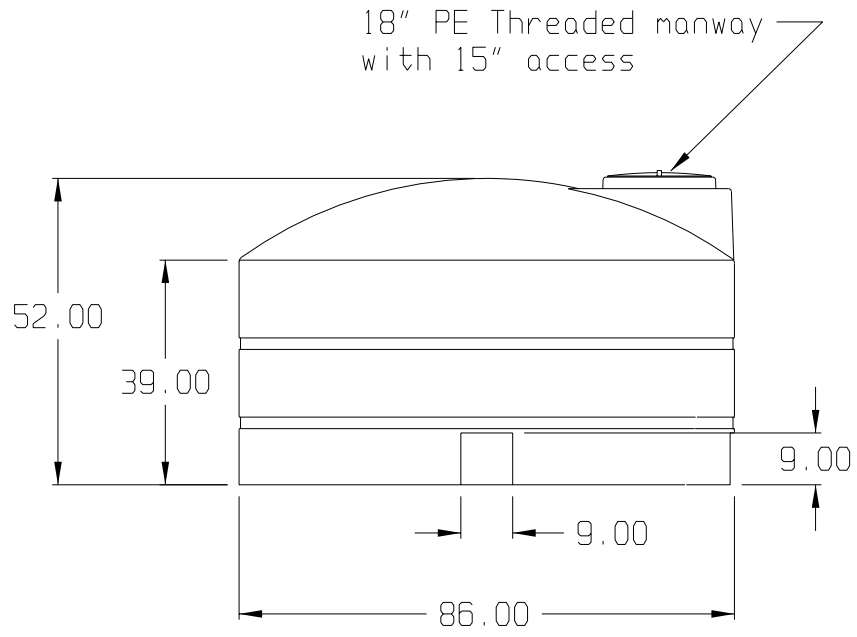
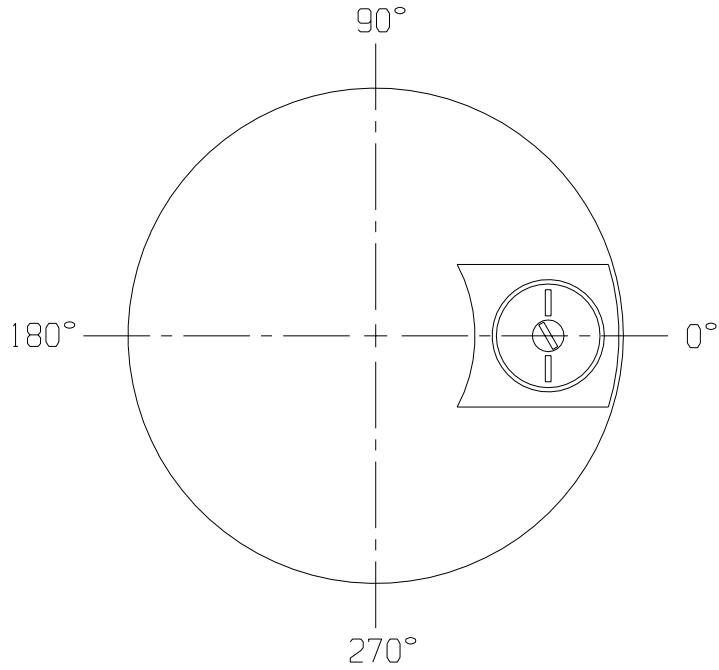


NOTE: THE LARGEST MANWAY THIS TANK WILL ACCEPT IS 18"



ALL FITTINGS ARE INSTALLED THEN REMOVED AND REPACKAGED IN ORDER TO ELIMINATE DAMAGE IN SHIPMENT

(all dimensions in inches)

PART # TANK: 8120--MT

1,100 VERTICAL STORAGE TANK

REF#: 0000

00/00/00