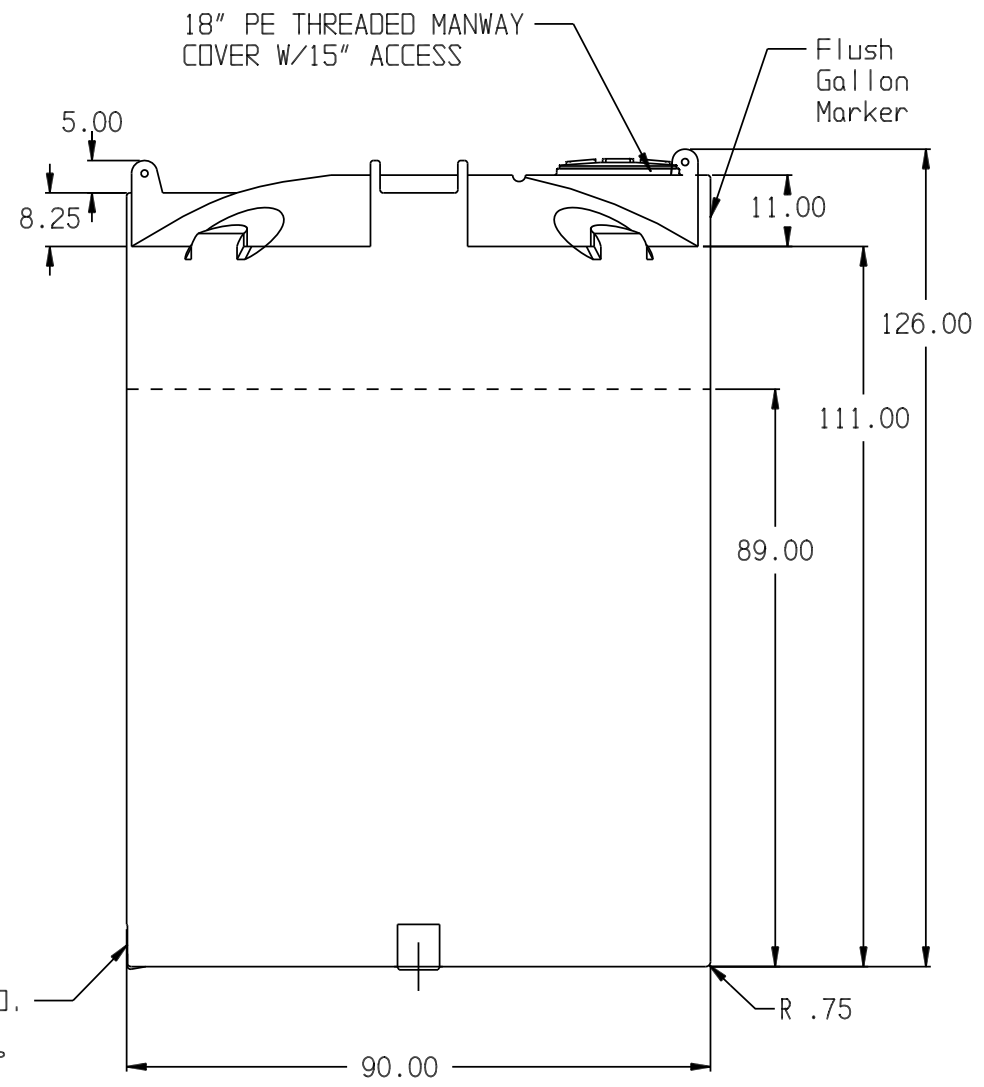


NOTE:  
SOME GALLONAGE MARKS MAY BE  
REMOVED FOR FITTING PLACEMENT.

2"-3" S.U.M.O.  
Location Typ  
@ 180° & 270°



APPROVED: \_\_\_\_\_

SIGNATURE: \_\_\_\_\_ DATE: \_\_\_\_\_

DRAWING NOT VALID UNLESS SIGNED  
(all dimensions in inches)

PART # TANK: 816000N--MT

\* BASE FITTINGS TO BE LEFT INSTALLED AT TIME OF SHIPMENT PER SII PROCEDURE  
\* Consult Snyder's Guidelines for Use and Installation prior to delivery.  
Available on-line at [www.snydernet.com](http://www.snydernet.com)

# 3,000 GALLON FLAT BOTTOM TANK

REF#: 0000

07/09/09