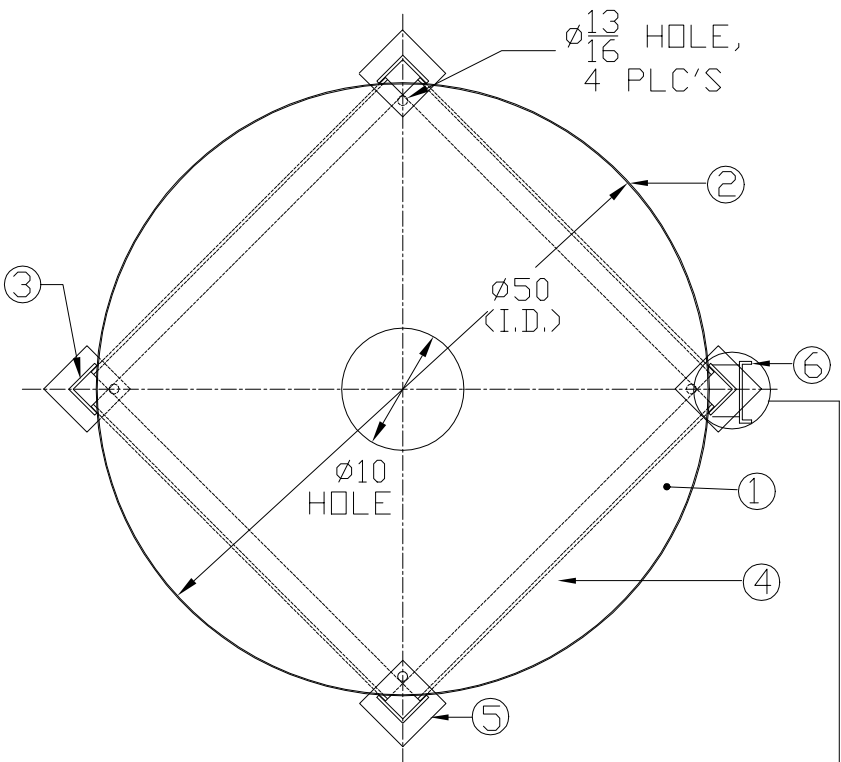
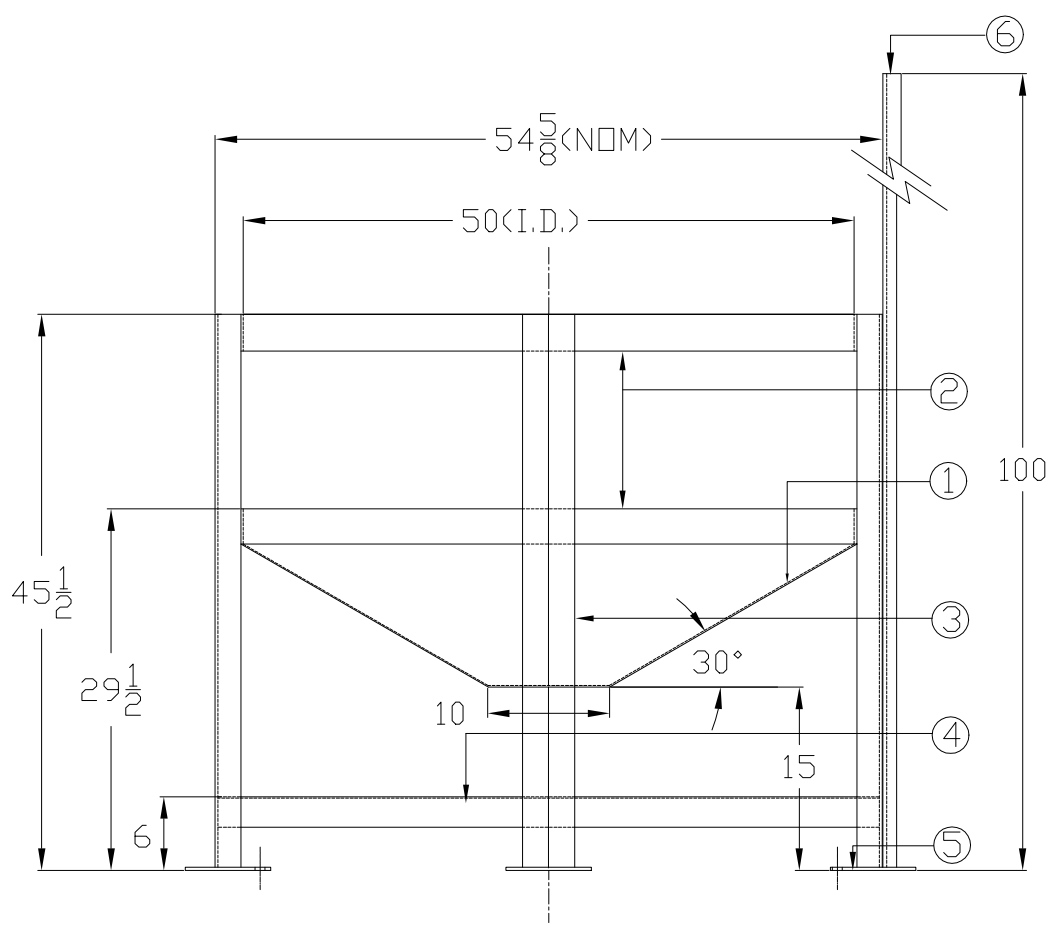


ITEM	QUAN.	DESCRIPTION
1	1	14 GA. STEEL CONE, AS SHOWN
2	2	3 X 3 X 3/16 FLAT, ROLLED AS SHOWN
3	4	3 X 3 X 1/4 L
4	4	2 X 2 X 1/4 L
5	4	5 X 5 X 1/4 PLATE
6	1	6" 8.2 LB. L



SEE DWG. SS-00100
FOR BOLT ON CONFIG.



Rev. 1	Date 03/16/00	File Name JK4875-1
CHEM-TAINER Industries Inc.		
361 Neptune Ave. W. Babylon, NY 11704 (631) 661-8300 Fax: (631) 661-8209		
Drawn By: EJS/TIA	Date 10/06/99	Cust. Rep.
TITLE STEEL STAND 500 GAL. CONICAL BOTTOM CLOSED HEAD BULK STORAGE TANK		
Part # TN4875JK	Dwg. # C-4875-10	